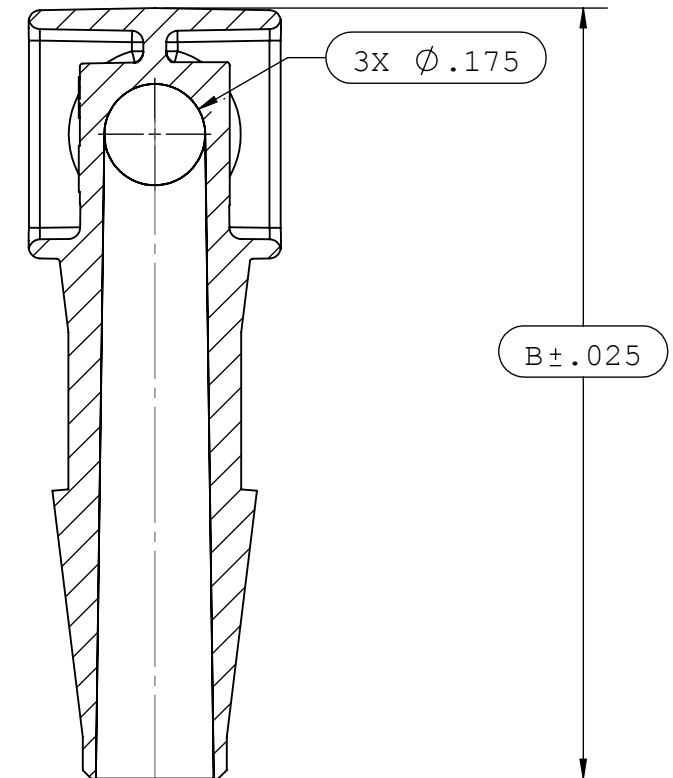
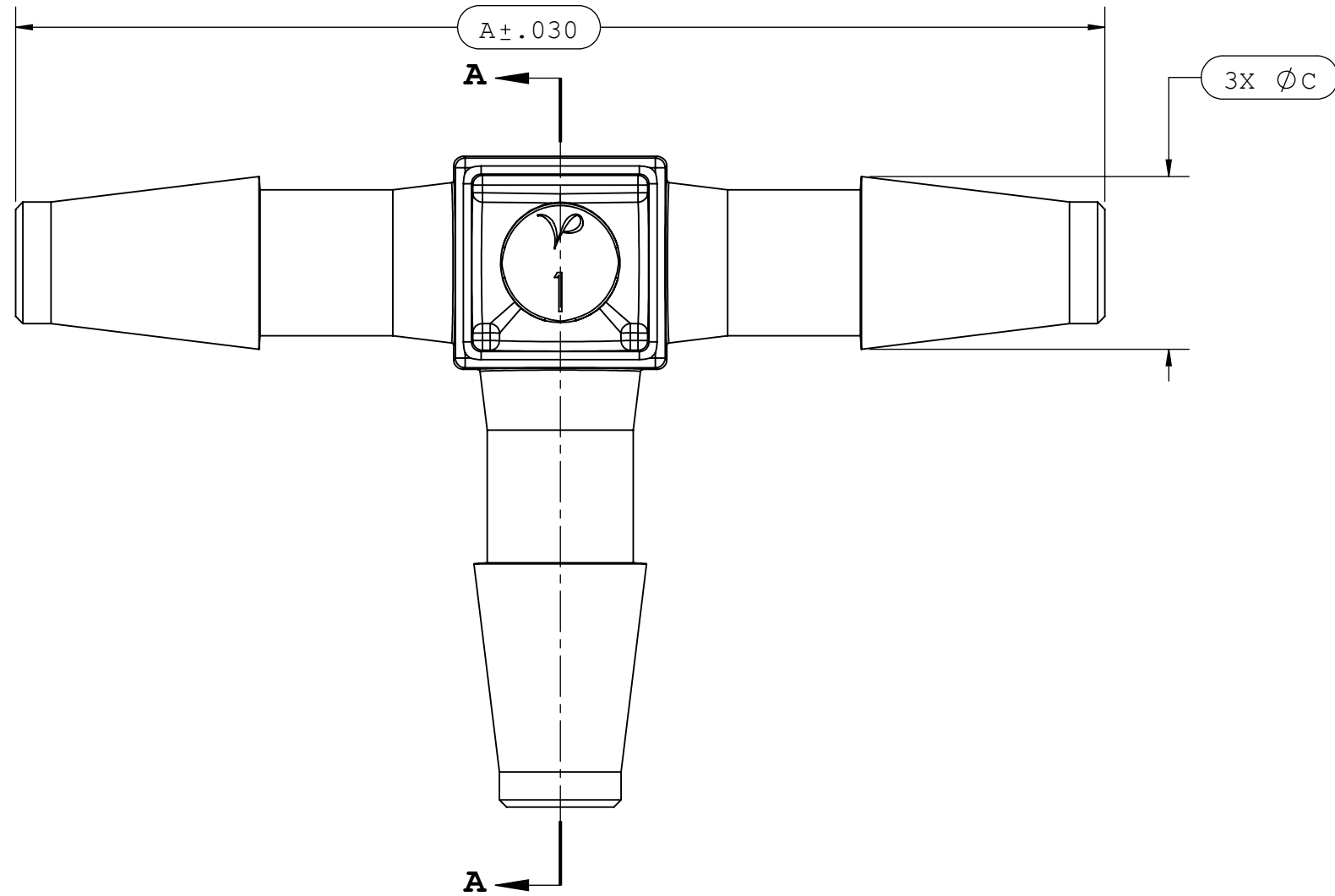


NOTES: FOR ADDITIONAL DETAILS, PLEASE CONTACT VP CUSTOMER SERVICE
 DIMENSIONS MARKED $\text{\textcircled{\hspace{1em}}}$ ARE CONTROL DIMENSIONS

REVISIONS			
REV.	DESCRIPTION	DATE	APPROVED
A	INITIAL RELEASE	10-09-96	
B	CO 024 DRAFTING UPDATE	10-04-05	RICK C.
C	ECO 357	12-01-17	FJL



SECTION A-A

Material Specific Tolerances								
Dimension	Acetal	Nylon	PP	ABS	PC	PVC	Polysulfone	J1A
A	2.238	2.238	2.238	2.238	2.237	2.238	2.238	2.207
B	1.338	1.338	1.338	1.338	1.337	1.338	1.338	1.312
C	0.355	0.352	0.355	0.355	0.354	0.355	0.355	0.349
D								
E								
F								

UNLESS OTHERWISE SPECIFIED DIMENSIONS ARE IN INCHES TOLERANCES ARE:				VALUE PLASTICS, INC			
FRACTIONS DECIMAL ANGULAR ± .XX ±.01 ± 1° .XXX ±.005 .XXXX ±.001							
DO NOT SCALE DRAWING				PART NUMBER: T60			
DESCRIPTION: TEE CONNECTOR WITH CLASSIC SERIES BARBS, 1/4" (6.25mm) ID TUBING				DESCRIPTION: TEE CONNECTOR WITH CLASSIC SERIES BARBS, 1/4" (6.25mm) ID TUBING			
DRAWN BY: marie.morleyjahn	DATE: 12/18/2017	SIZE: B	SCALE: NTS	VER:	DWG. NO. 1007242	REV C	
MANAGER: Frank.Lombardi					© 2017 VALUE PLASTICS, INC		SHEET: 1 OF 1

FOR REFERENCE ONLY