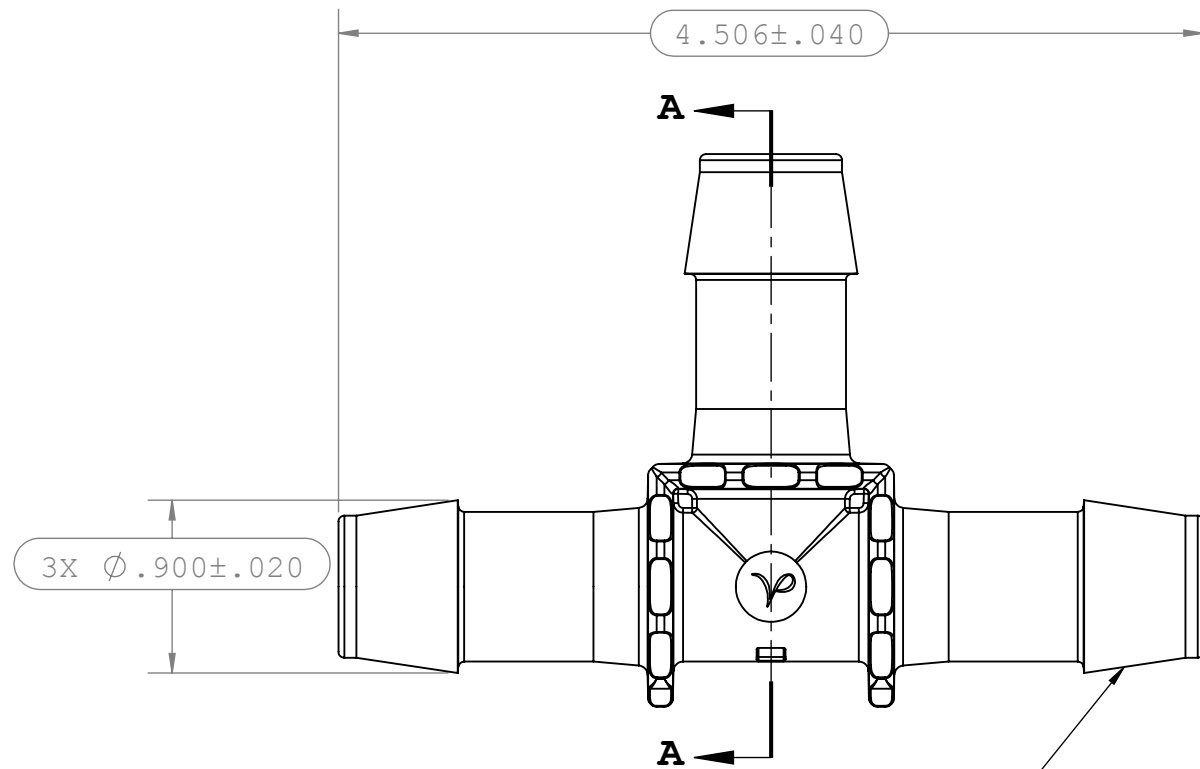
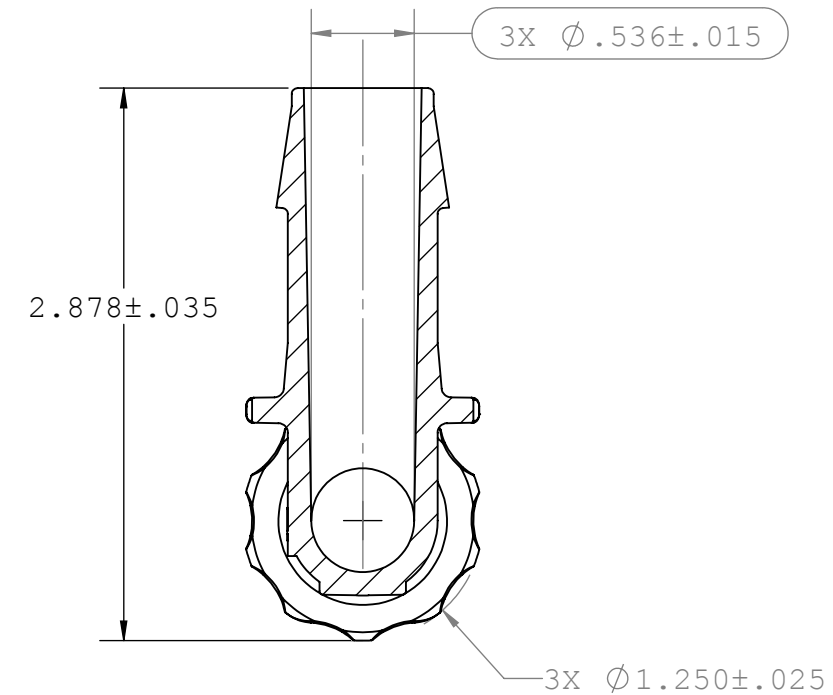
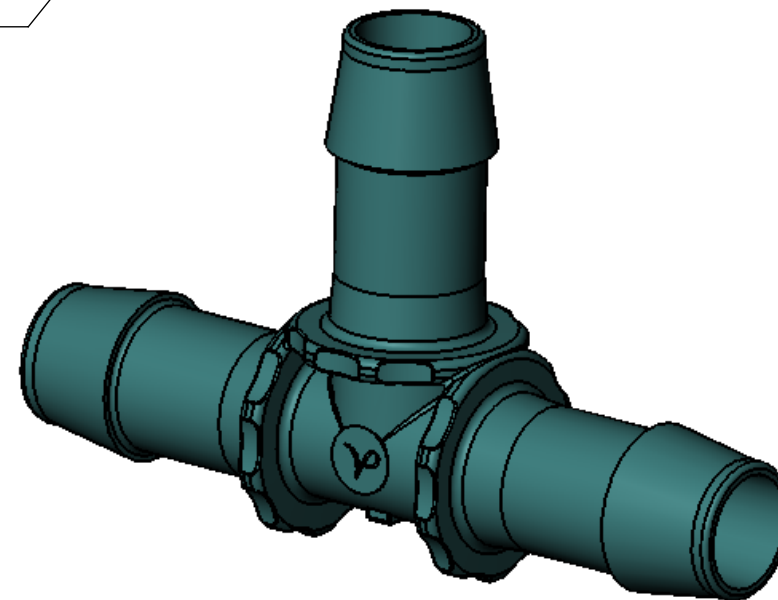


NOTES: FOR ADDITIONAL DETAILS, PLEASE CONTACT VP CUSTOMER SERVICE  
 DIMENSIONS MARKED  $\varnothing$  ARE CONTROL DIMENSIONS

REVISIONS			
REV.	DESCRIPTION	DATE	APPROVED
A	INITIAL RELEASE	04-07-14	HL



3X INSTRUMENT QUALITY PART.  
 NO PARTING LINE PERMITTED ON  
 THIS CONICAL SURFACE.



**SECTION A-A**

UNLESS OTHERWISE SPECIFIED DIMENSIONS ARE IN INCHES TOLERANCES ARE:		<b>VALUE PLASTICS, INC</b>			
FRACTIONS	DECIMAL				
±	.XX ±.01	± 1°	DESCRIPTION:	Tee Tube Fitting with 600 Series Barbs, 3/4" (19.0 mm) ID Tubing, Animal-free Natural Polypropylene	
	.XXX ±.005		DRAWN BY:	Jonathan Mayer	
	.XXXX ±.001		DATE:	4/11/2014	
DO NOT SCALE DRAWING			SIZE:	<b>B</b>	
			SCALE:	NTS	
			VER:		
			DWG. NO.:	1030172	
			REV:	A	
MANAGER: Huadong L.				© 2011 VALUE PLASTICS, INC	SHEET: 1 OF 1

**FOR REFERENCE ONLY**