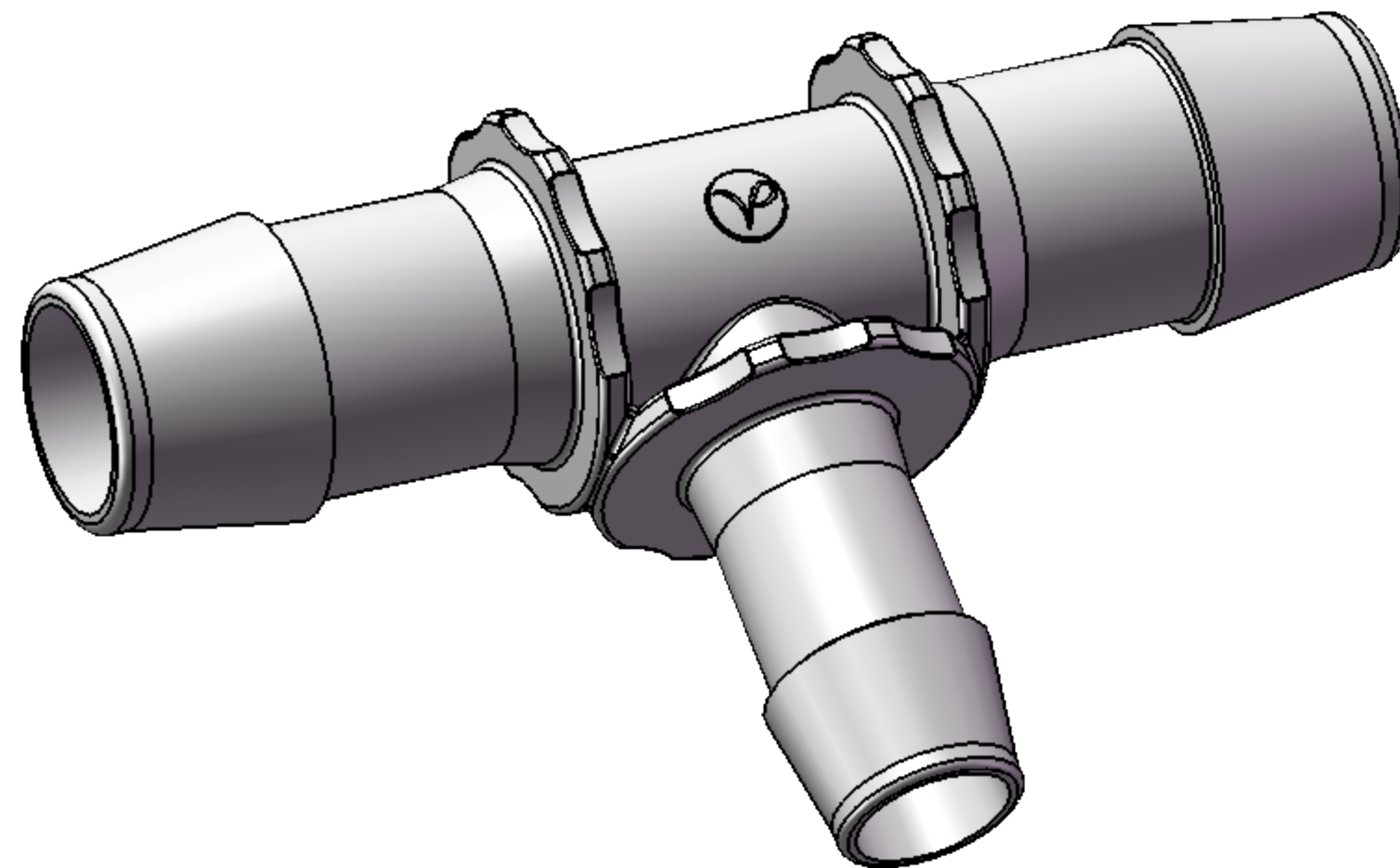
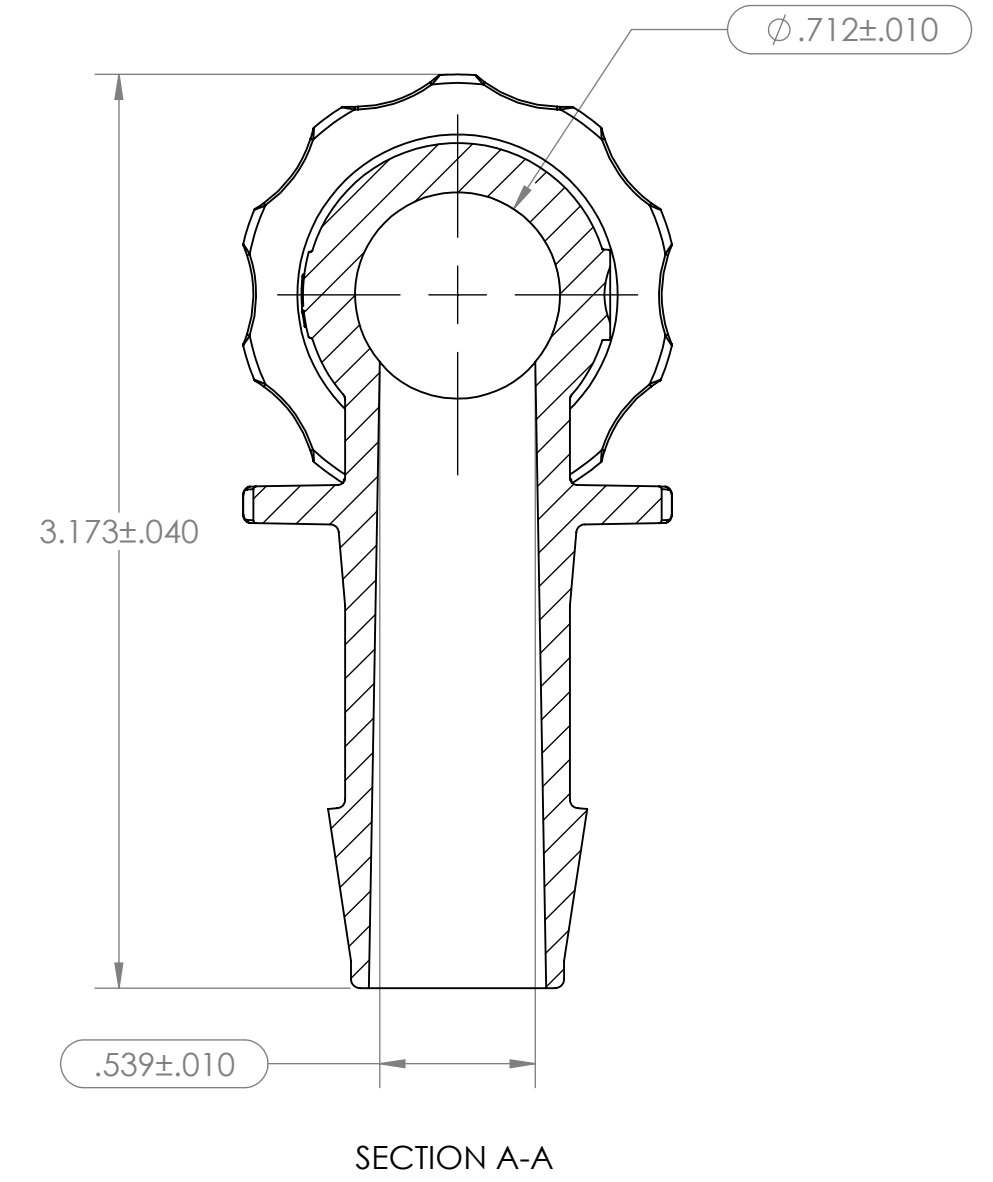
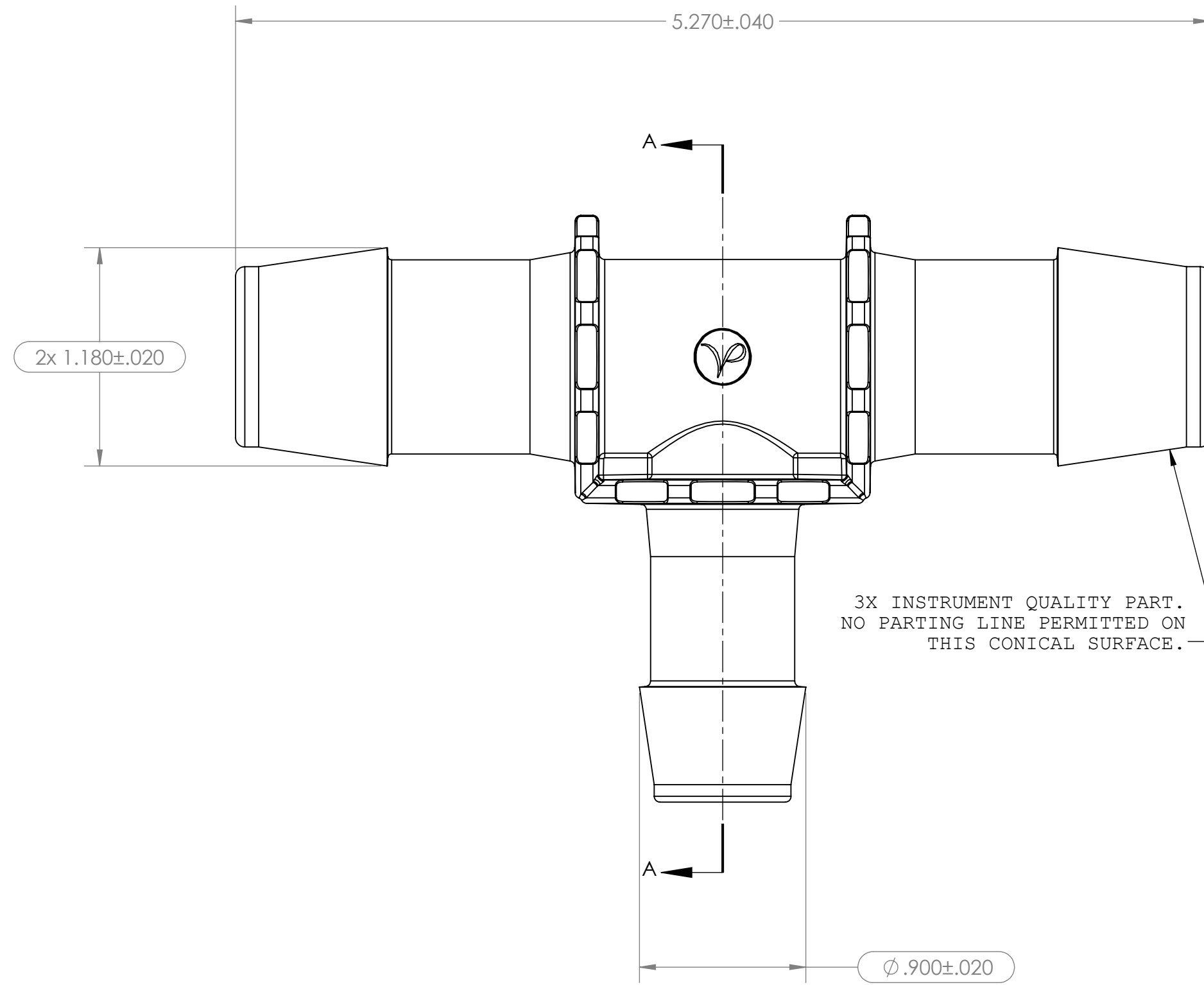


NOTES: FOR ADDITIONAL DETAILS, PLEASE CONTACT VP CUSTOMER SERVICE
 DIMENSIONS MARKED ARE CONTROL DIMENSIONS

REVISIONS			
REV.	DESCRIPTION	DATE	APPROVED
A	INITIAL RELEASE	03-08-17	FJL



UNLESS OTHERWISE SPECIFIED DIMENSIONS ARE IN INCHES TOLERANCES ARE:		VALUE PLASTICS, INC	
FRACTIONS ±	DECIMALS .XX ±.01 .XXX ±.005 .XXXX ±.001	ANGULAR ±1°	PART NUMBER: T6110_6100
DO NOT SCALE DRAWING		DESCRIPTION: T Connector Reducer with 600 Series Barb. 1" (25.4mm) to 3/4" (19.0mm) ID Tubing	
DRAWN BY: T. Whitaker	DATE: 3/22/2017	SIZE: C	SCALE: NTS
ENG MGR: L. Huadong	DATE: 3/22/2017	DRAWING NUMBER: 1041808	
		REV A	
		SHEET: SHEET 1 of 1	
		© 2014 VALUE PLASTICS, INC	

FOR REFERENCE ONLY