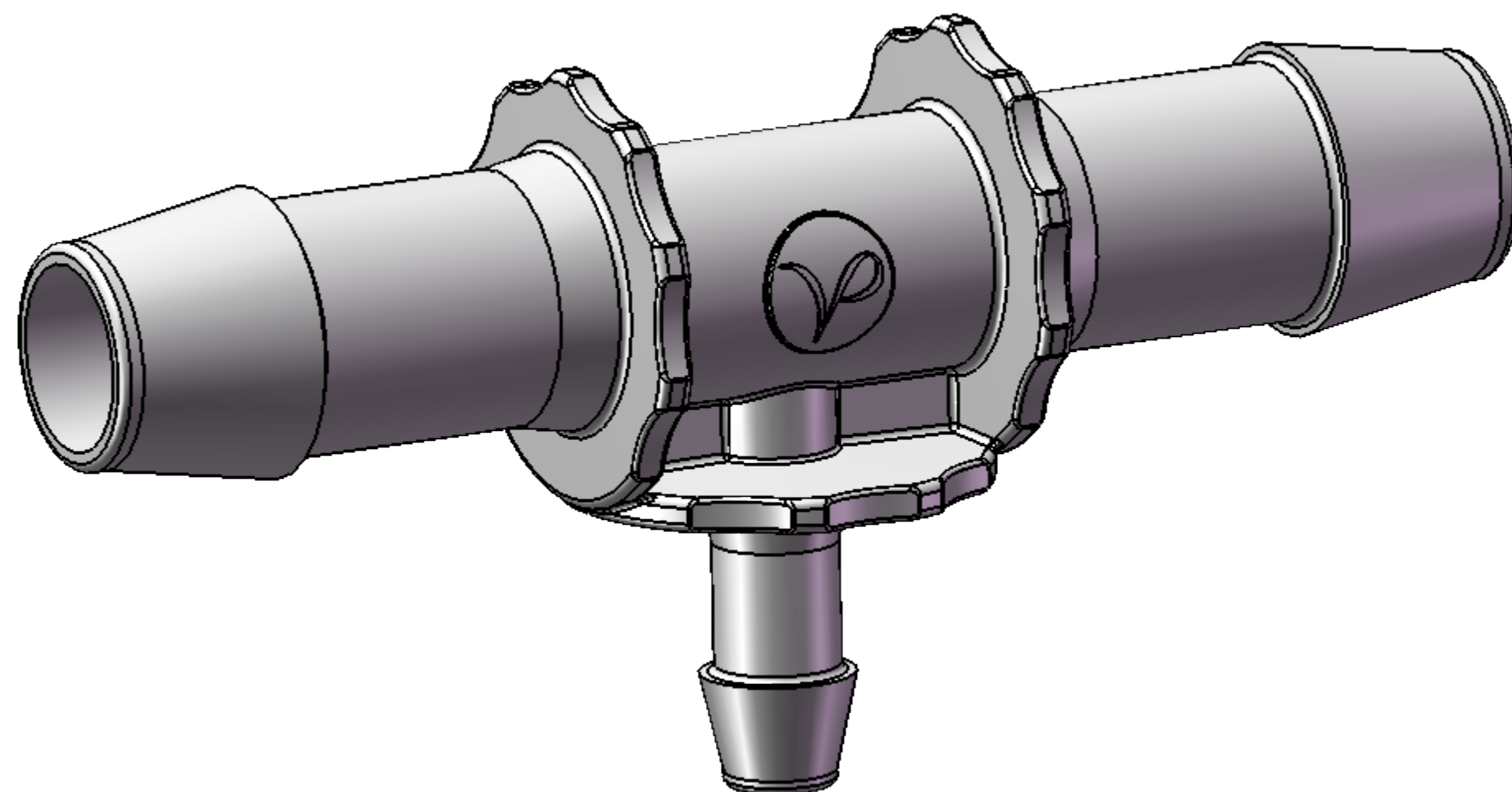
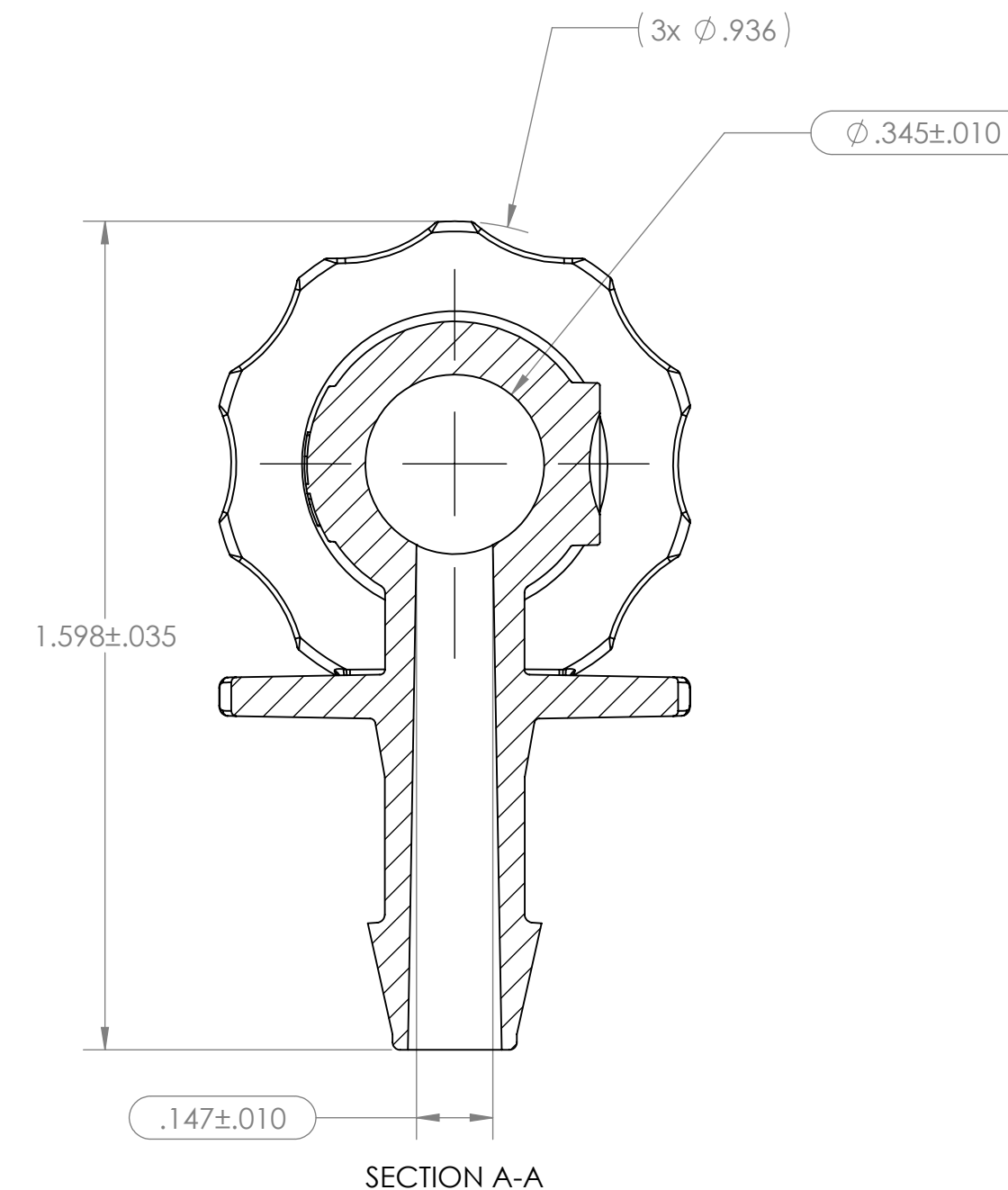
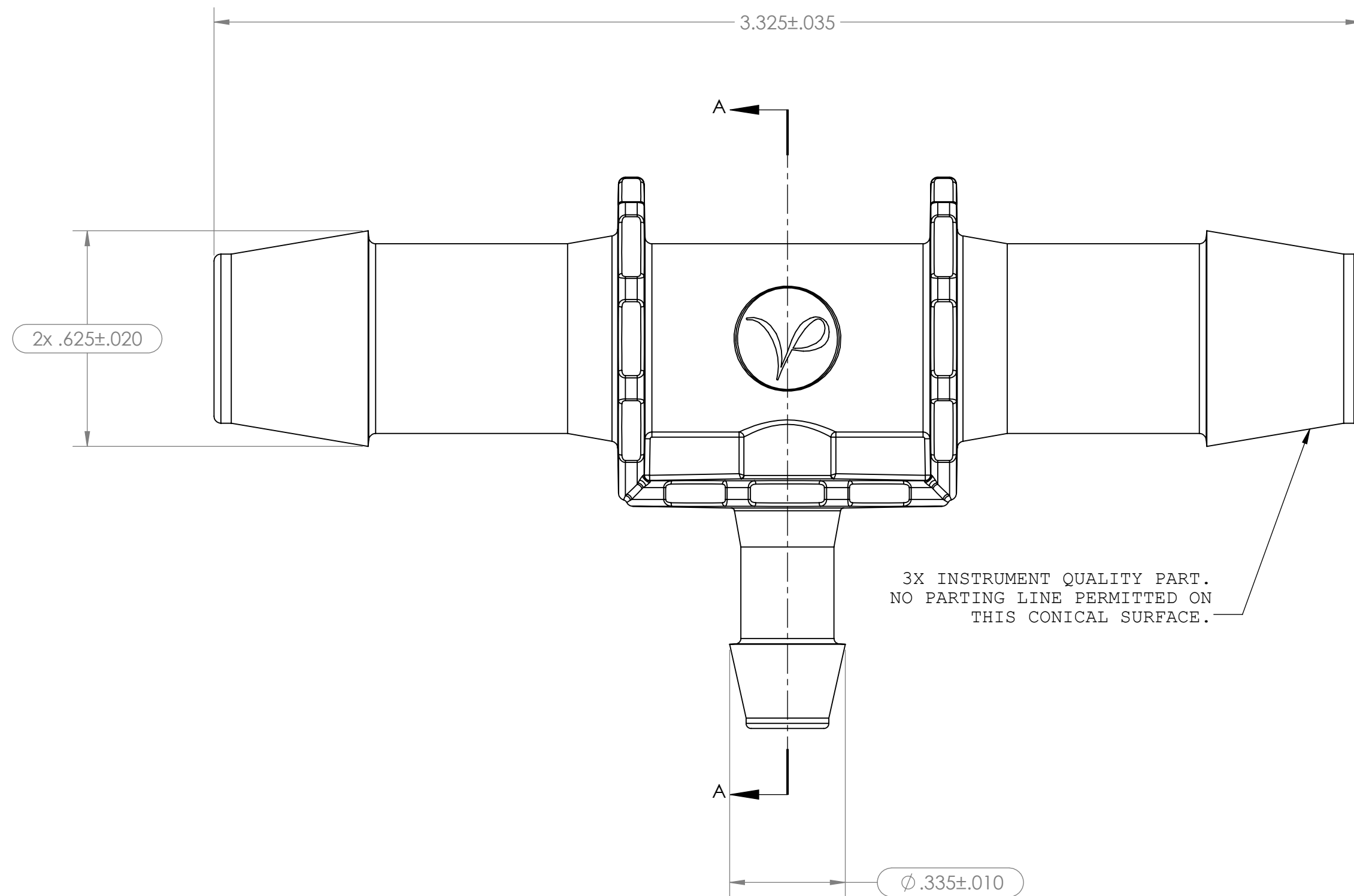


NOTES: FOR ADDITIONAL DETAILS, PLEASE CONTACT VP CUSTOMER SERVICE
 DIMENSIONS MARKED ARE CONTROL DIMENSIONS

| REVISIONS | | | |
|-----------|-----------------|----------|----------|
| REV. | DESCRIPTION | DATE | APPROVED |
| A | INITIAL RELEASE | 03-27-17 | FJL |



| | | | |
|---|---|--|--------------------------|
| UNLESS OTHERWISE SPECIFIED DIMENSIONS ARE IN INCHES TOLERANCES ARE: | | VALUE PLASTICS, INC | |
| FRACTIONS 1 | DECIMALS .XX ±.01 .XXX ±.005 .XXXX ±.001 | ANGULAR ±1° | PART NUMBER: T680_655 |
| DO NOT SCALE DRAWING | | DESCRIPTION: Tee Connector Reducer with 600 Series Barb, 1/2" (12.7mm) to 1/4" (6.4mm) ID Tubing | |
| DRAWN BY: T. Whitaker | DATE: 4/3/2017 | SIZE: C | SCALE: NTS |
| ENG MGR: L. Huadong | DATE: 4/3/2017 | DRAWING NUMBER: 1041810 | REV A |
| | | © 2014 VALUE PLASTICS, INC | |
| | | SHEET: SHEET 1 of 1 | |

FOR REFERENCE ONLY