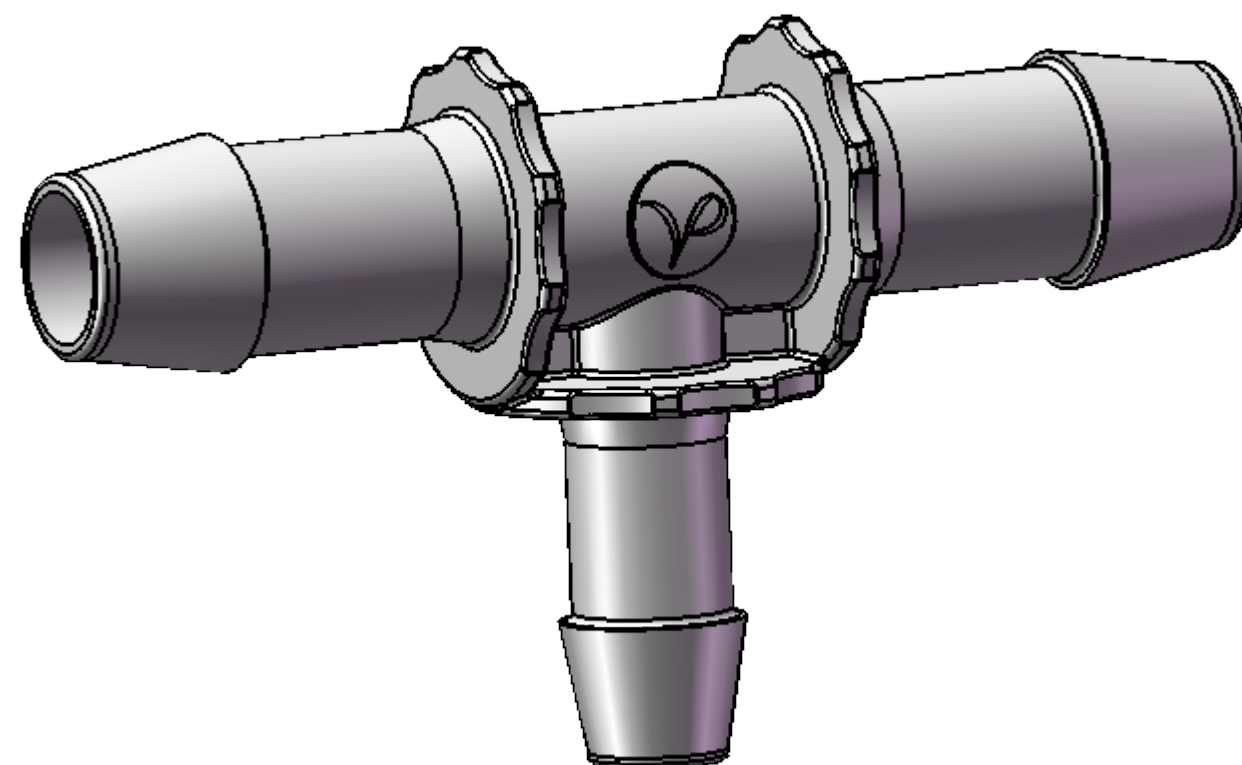
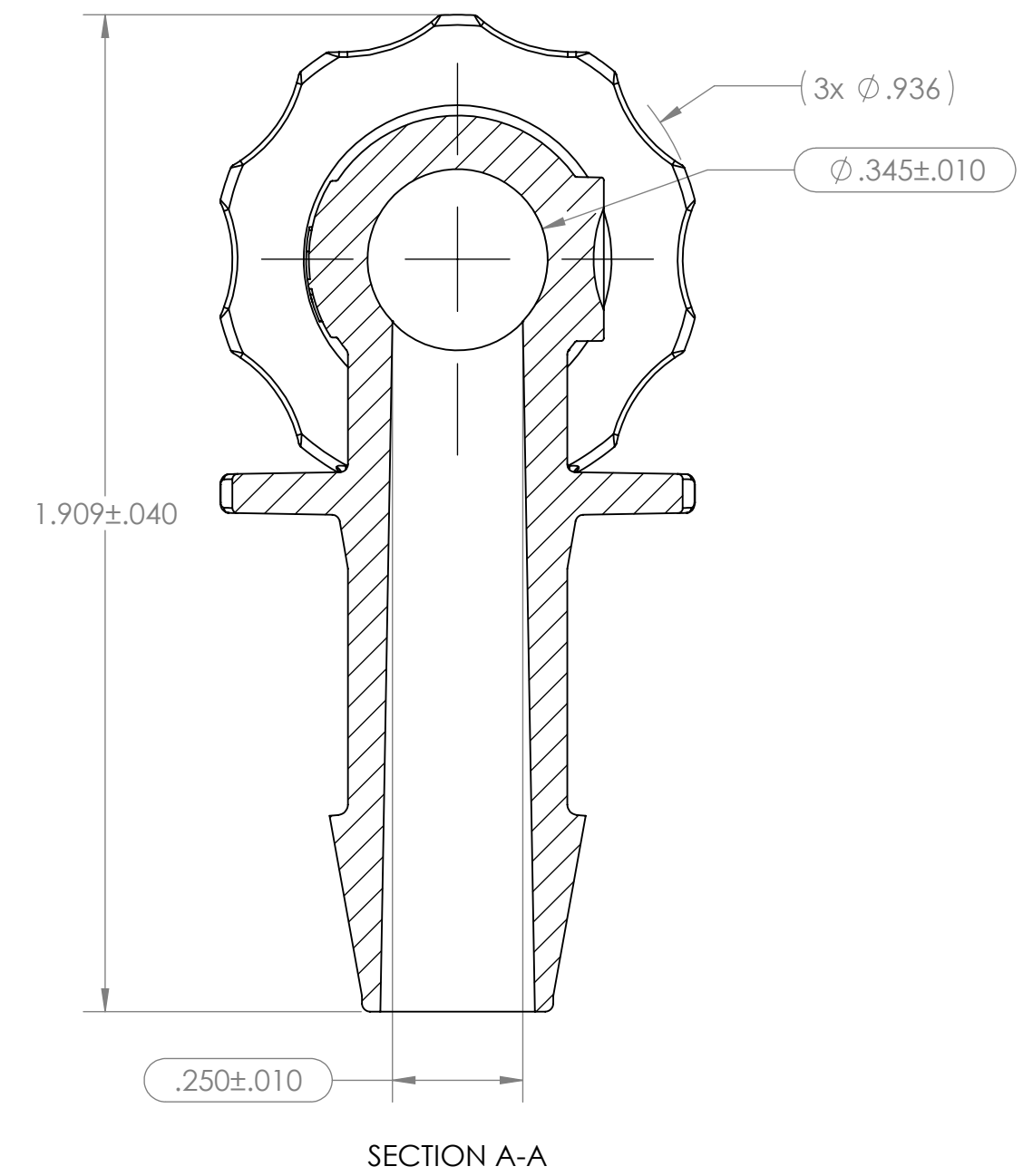
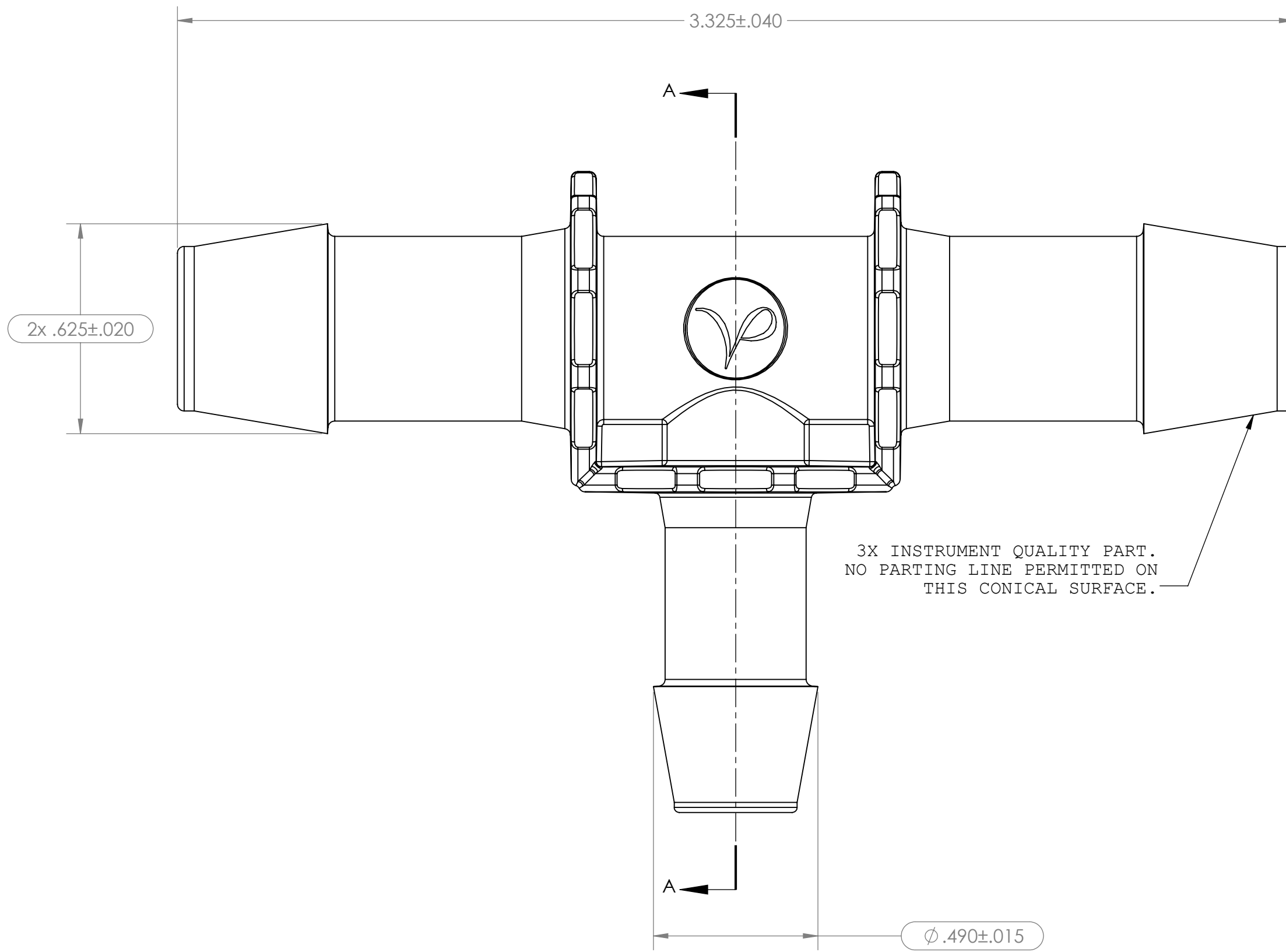


NOTES: FOR ADDITIONAL DETAILS, PLEASE CONTACT VP CUSTOMER SERVICE  
 DIMENSIONS MARKED   ARE CONTROL DIMENSIONS

REVISIONS			
REV.	DESCRIPTION	DATE	APPROVED
A	INITIAL RELEASE	03-27-17	FJL



UNLESS OTHERWISE SPECIFIED DIMENSIONS ARE IN INCHES TOLERANCES ARE:		<b>VALUE PLASTICS, INC</b>	
FRACTIONS 1	DECIMALS .XX ±.01 .XXX ±.005 .XXXX ±.001	ANGULAR ±1°	PART NUMBER: T680_670
DO NOT SCALE DRAWING		DESCRIPTION: Tee Connector Reducer with 600 Series Barb. 1/2" (12.7mm) to 3/8" (9.5mm) ID Tubing	
DRAWN BY: T. Whitaker	DATE: 4/3/2017	SIZE: <b>C</b>	SCALE: NTS
ENG MGR: L. Huadong	DATE: 4/3/2017	DRAWING NUMBER: 1041811	
		REV A	
		© 2014 VALUE PLASTICS, INC	
		SHEET: SHEET 1 of 1	

**FOR REFERENCE ONLY**