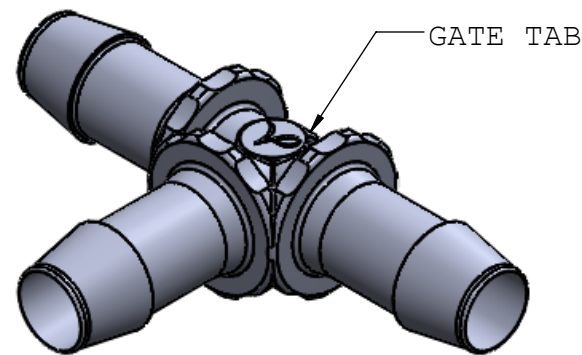
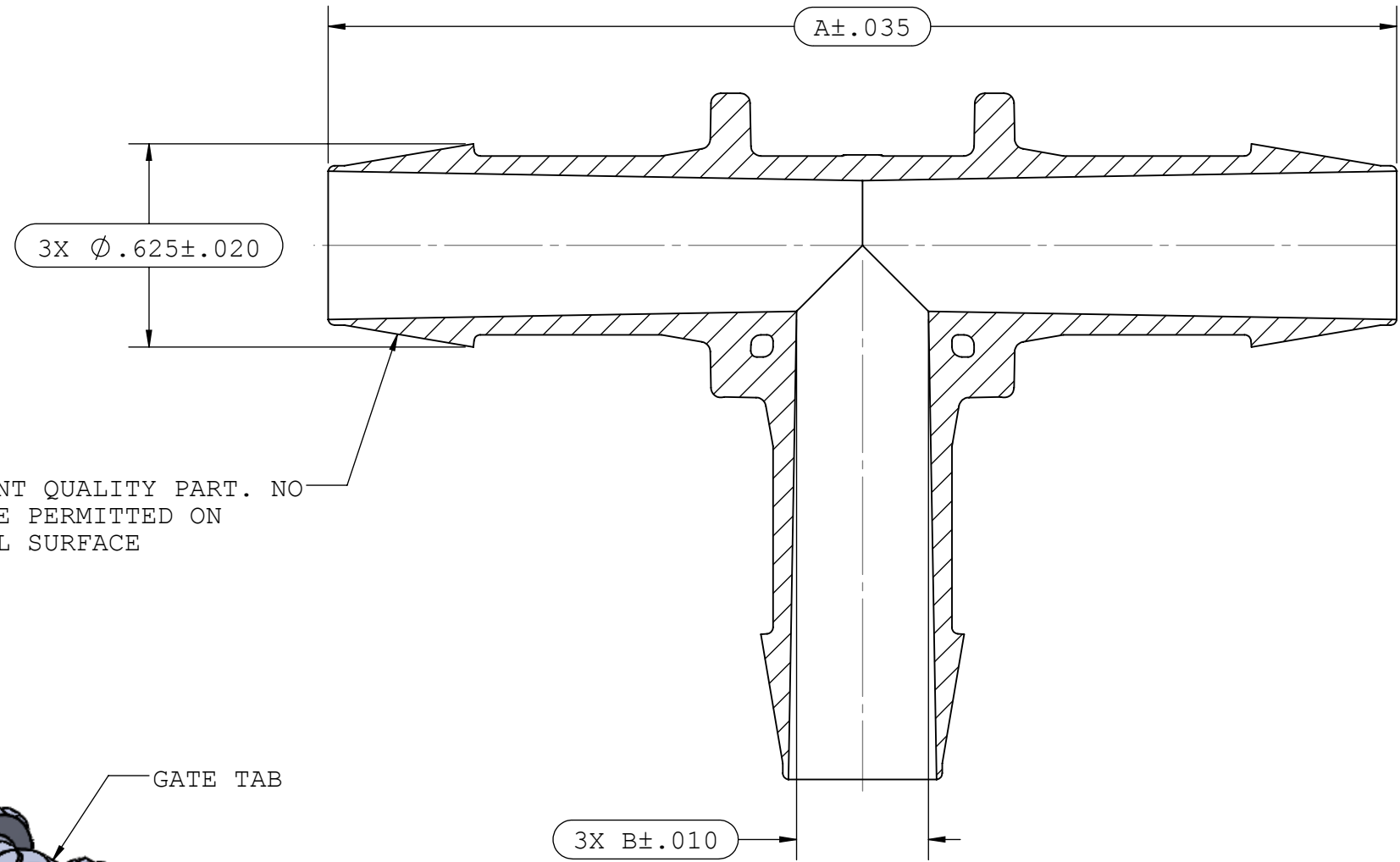
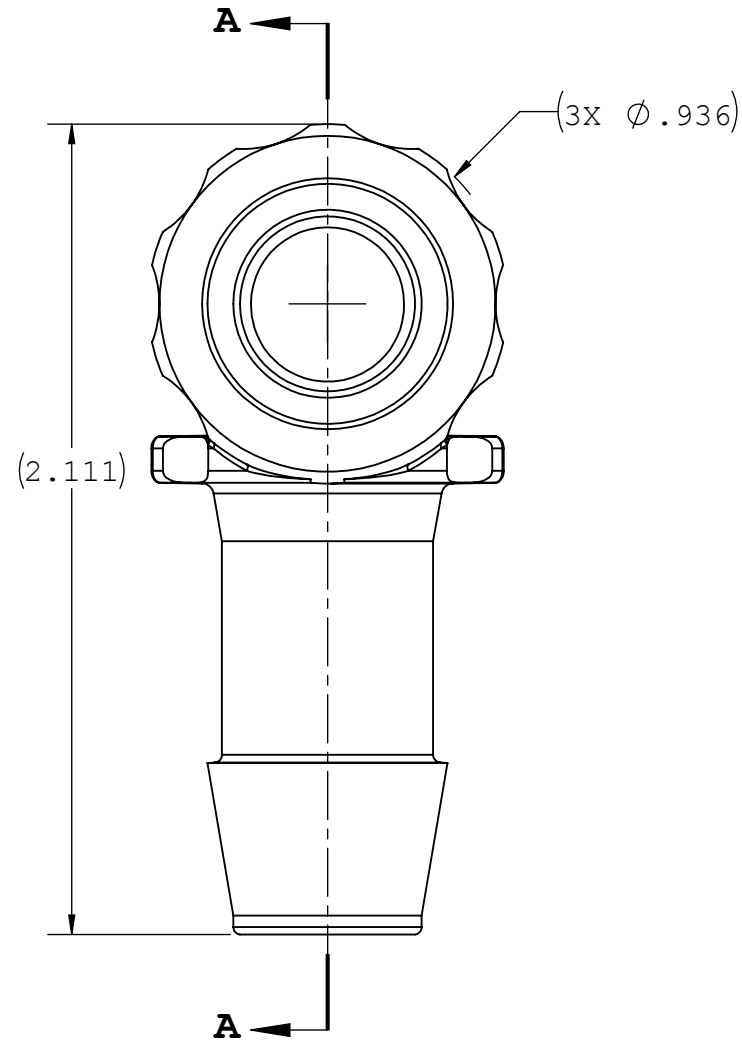


NOTES: FOR ADDITIONAL DETAILS, PLEASE CONTACT VP CUSTOMER SERVICE
 DIMENSIONS MARKED \varnothing ARE CONTROL DIMENSIONS

REVISIONS			
REV.	DESCRIPTION	DATE	APPROVED
A	INITIAL RELEASE	04-22-05	RICK C.
B	ECO 074 CHANGED POLYCARBONATE AND KYNAR OAL DIMENSION TO MATERIAL SPECIFIC	03-18-08	RICK C.
C	ECO 331	10-28-16	FJL



SECTION A-A

Dimension	Material Specific Tolerances							
	Acetal	Nylon	PP	ABS	PC	PVC	Polysulfone	PVDF
A	3.286	3.286	3.286	3.286	3.321	3.286	3.286	3.251
B	0.406	0.406	0.406	0.406	0.406	0.406	0.406	0.396
C								
D								
E								
F								

UNLESS OTHERWISE SPECIFIED DIMENSIONS ARE IN INCHES TOLERANCES ARE:				VALUE PLASTICS, INC			
FRACTIONS DECIMAL ANGULAR ± .XX ±.01 ± 1° .XXX ±.005 .XXXX ±.001							
DO NOT SCALE DRAWING				PART NUMBER: T680			
DESCRIPTION: TEE CONNECTOR WITH 600 SERIES BARBS, 1/2" (12.5mm) ID TUBING							
DRAWN BY: BRYCE HIRSCHFELD	DATE: 10/28/2016	SIZE: B	SCALE: NTS	VER:	DWG. NO. 1006342	REV C	
MANAGER: Frank.Lombardi		© 2014 VALUE PLASTICS, INC				SHEET: 1 OF 1	

FOR REFERENCE ONLY