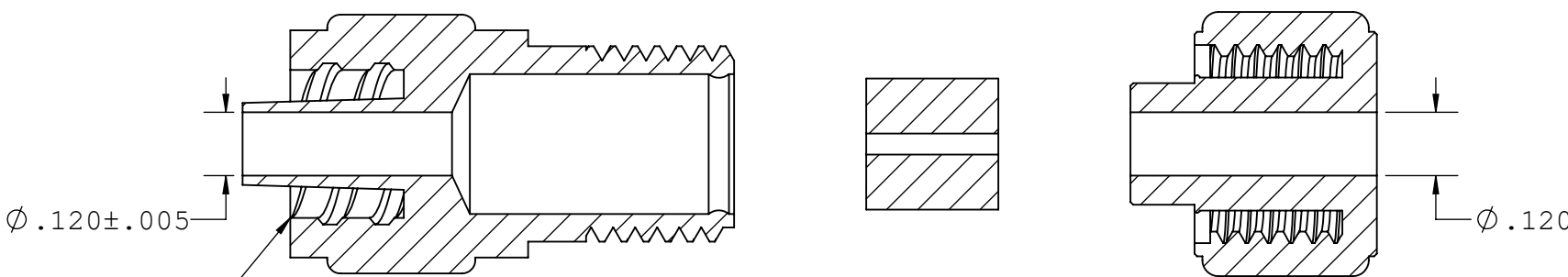
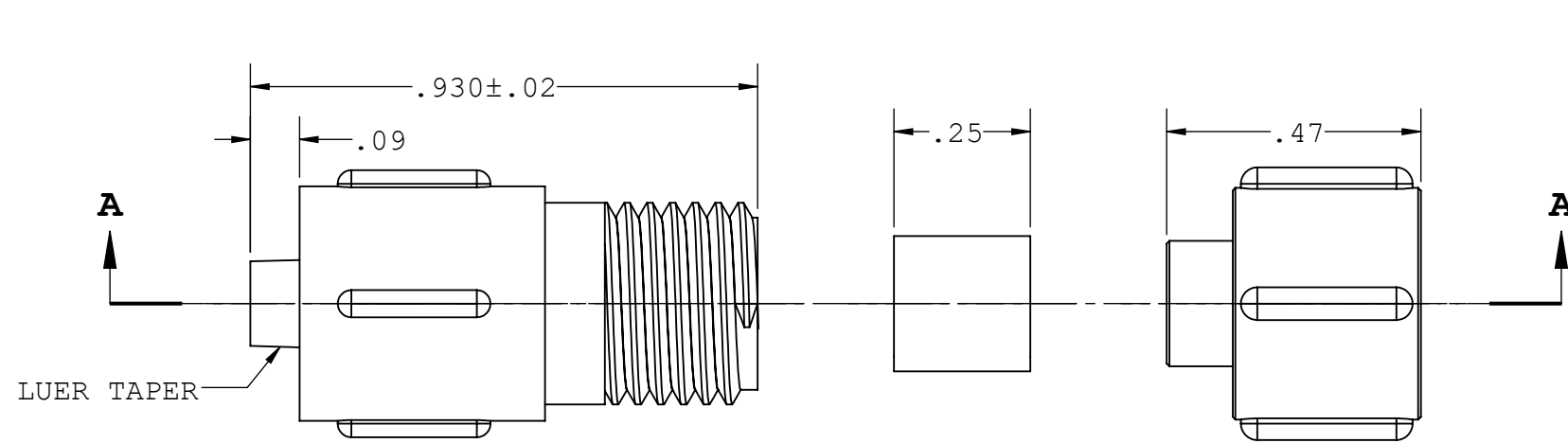
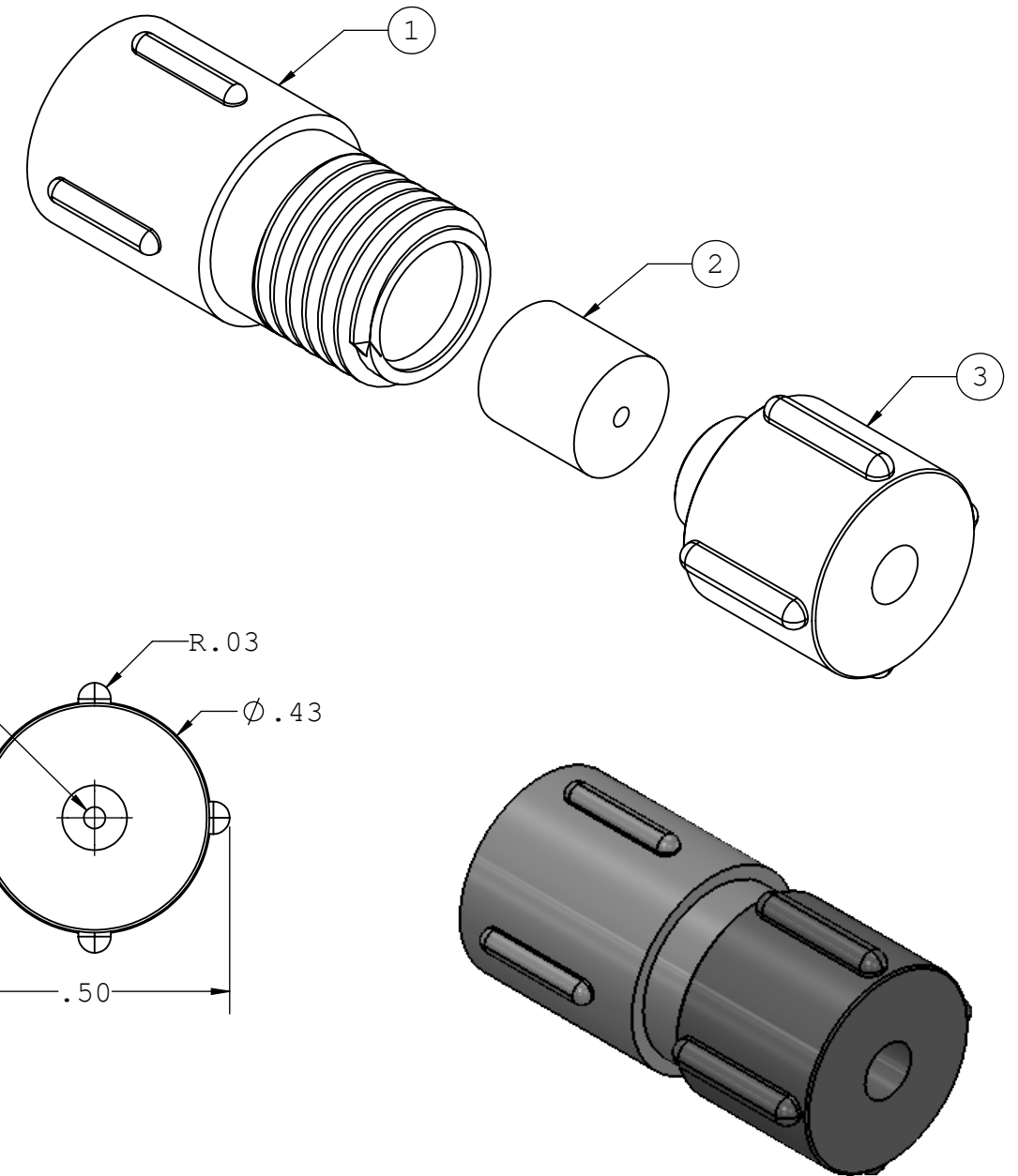
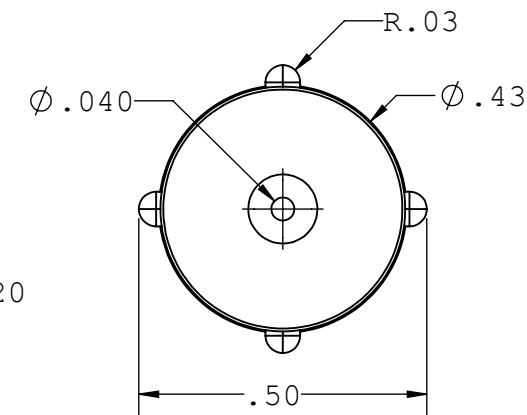


- NOTES: 1. FOR ADDITIONAL DETAILS, PLEASE CONTACT VP NEW PRODUCT DEVELOPMENT
 2. DIMENSIONS MARKED \varnothing ARE CENTRAL DIMENSIONS
 3. VENDOR CERTIFICATION OF COMPLIANCE REQUIRED
 4. PART SHOWN MAY VARY SLIGHTLY IN APPEARANCE, MINOR DIFFERENCES NOT EFFECTING DIMENSIONAL CONFORMANCE ARE ACCEPTABLE

REVISIONS			
REV.	DESCRIPTION	DATE	APPROVED
A	INITIAL RELEASE	10/02/14	H.L
B	ECO 345	03-28-17	FJL
C	ECO 384	06-20-18	FJL



SECTION A-A



ASSEMBLY SKU	ITEM	DESCRIPTION	QTY
TBA2040-002	1	ADAPTER BODY W/OUT SIDEPORT - DEHP FREE, CLEAR PVC	1
	2	GASKET .040 - SILICONE	1
	3	MALE CAP - BLUE PA ABS	1

UNLESS OTHERWISE SPECIFIED DIMENSIONS ARE IN INCHES TOLERANCES ARE:		VALUE PLASTICS, INC			
FRACTIONS DECIMAL ANGULAR ± .XX ±.01 ± 1° .XXX ±.005 .XXXX ±.001		PART NUMBER: TBA2040			
DO NOT SCALE DRAWING		DESCRIPTION: Tuohy Borst Adapter without side port, Body, Cap, 0.040" ID Gasket, DEHP Free			
DRAWN BY: marie.morleyjahn	DATE: 6/20/2018	SIZE: B	SCALE: NTS	VER: 	DWG. NO. 1032901
MANAGER: Frank.Lombardi		© 2017 VALUE PLASTICS, INC			REV C
				SHEET: 1 OF 1	

FOR REFERENCE ONLY