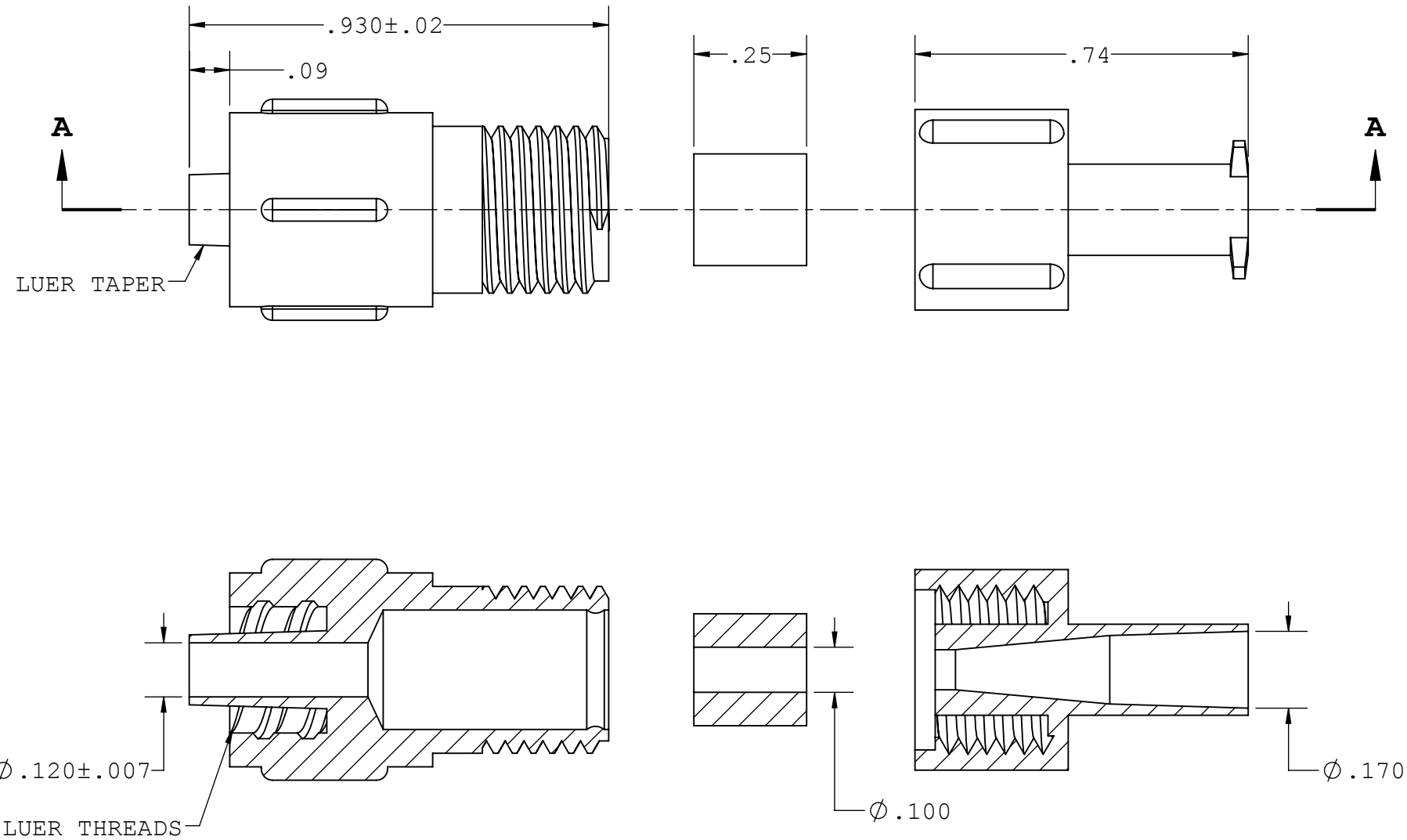
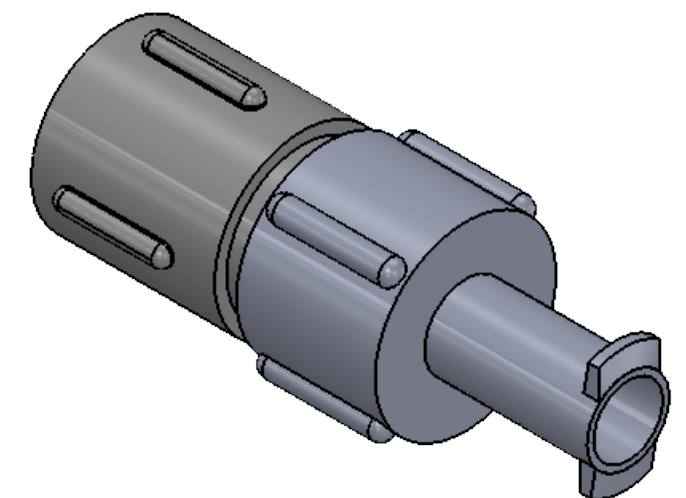
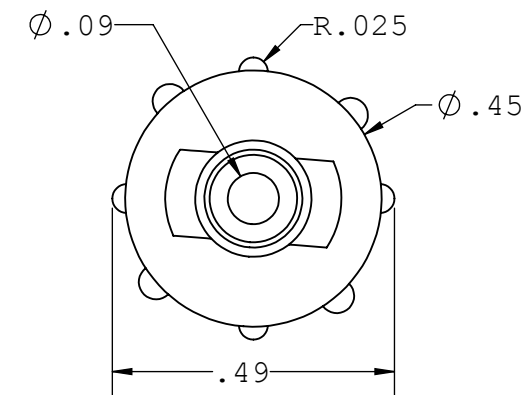
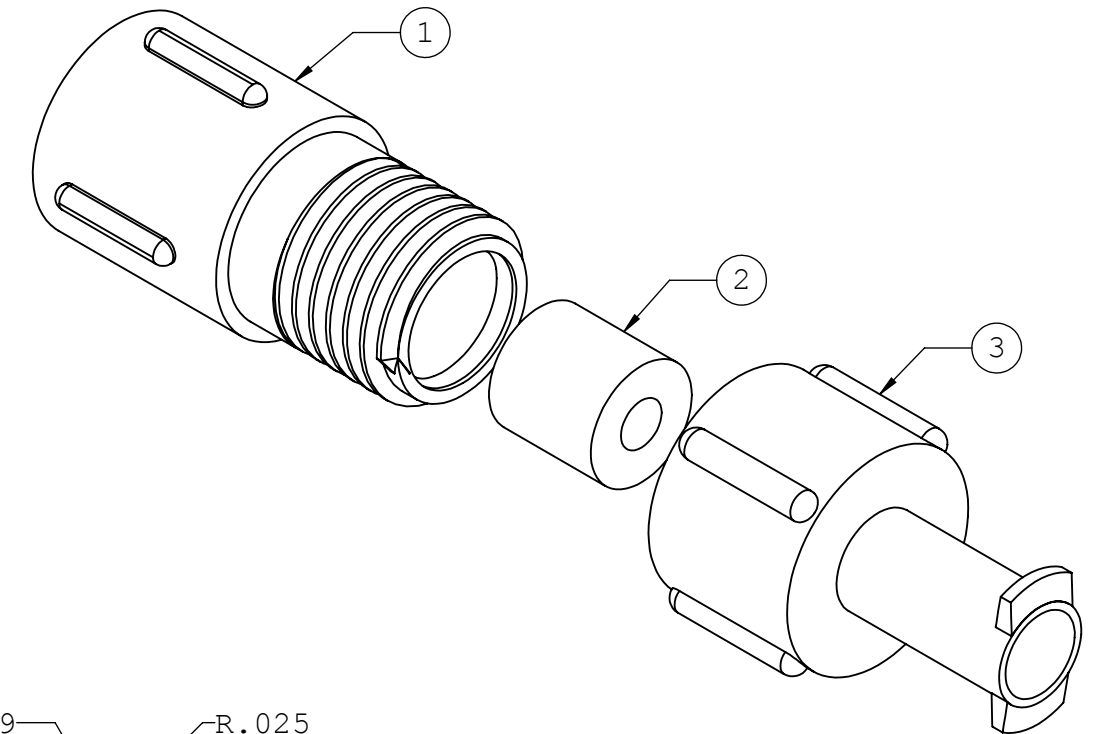


- NOTES: 1. FOR ADDITIONAL DETAILS, PLEASE CONTACT VP NEW PRODUCT DEVELOPMENT
 2. DIMENSIONS MARKED \varnothing ARE CENTRAL DIMENSIONS
 3. VENDOR CERTIFICATION OF COMPLIANCE REQUIRED
 4. PART SHOWN MAY VARY SLIGHTLY IN APPEARANCE, MINOR DIFFERENCES NOT EFFECTING DIMENSIONAL CONFORMANCE ARE ACCEPTABLE

| REVISIONS | | | |
|-----------|-----------------|----------|----------|
| REV. | DESCRIPTION | DATE | APPROVED |
| A | INITIAL RELEASE | 10/02/14 | H.L |
| B | ECO 345 | 03-28-17 | FJL |



SECTION A-A



| ASSEMBLY SKU | ITEM | DESCRIPTION | QTY |
|--------------|------|--|-----|
| TBA2100-002 | 1 | ADAPTER BODY W/OUT SIDEPORT - DEHP FREE, CLEAR PVC | 1 |
| | 2 | GASKET .100 - SILICONE | 1 |
| | 3 | MALE COMPRESSION CAP - DEHP FREE, CLEAR PVC | 1 |

| | | | | | |
|--|--------------------|---|---------------|------------------|---------------------|
| UNLESS OTHERWISE SPECIFIED DIMENSIONS ARE IN INCHES TOLERANCES ARE: | | VALUE PLASTICS, INC | | | |
| FRACTIONS DECIMAL ANGULAR \pm .XX \pm .01 \pm 1° \pm .XXX \pm .005 \pm .XXXX \pm .001 | | PART NUMBER: TBA2100 | | | |
| DO NOT SCALE DRAWING | | DESCRIPTION: Tuohy Borst Adapter without Sideport, Body, Cap, 0.100" ID Gasket, DEHP Free | | | |
| DRAWN BY: marie.morleyjahn | DATE: 3/28/2017 | SIZE: B | SCALE: NTS | VER: | DWG. NO. 1032871 |
| MANAGER: Frank.Lombardi | | © 2017 VALUE PLASTICS, INC | | | REV B |
| | | | | SHEET: 1 OF 1 | |

FOR REFERENCE ONLY