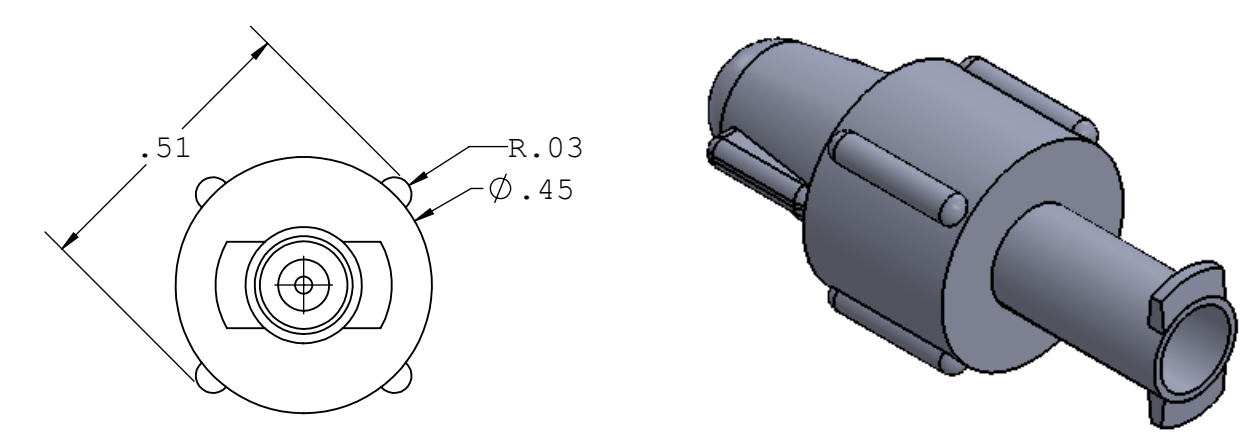
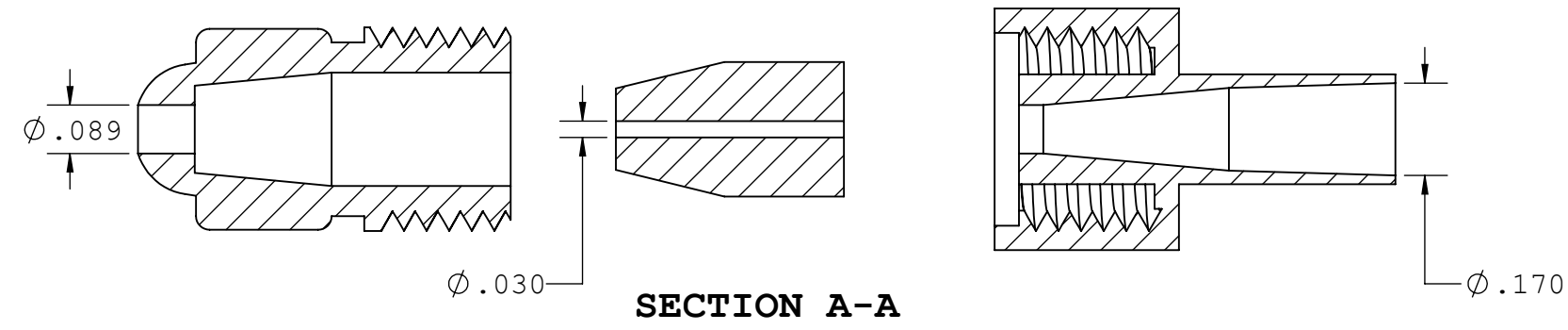
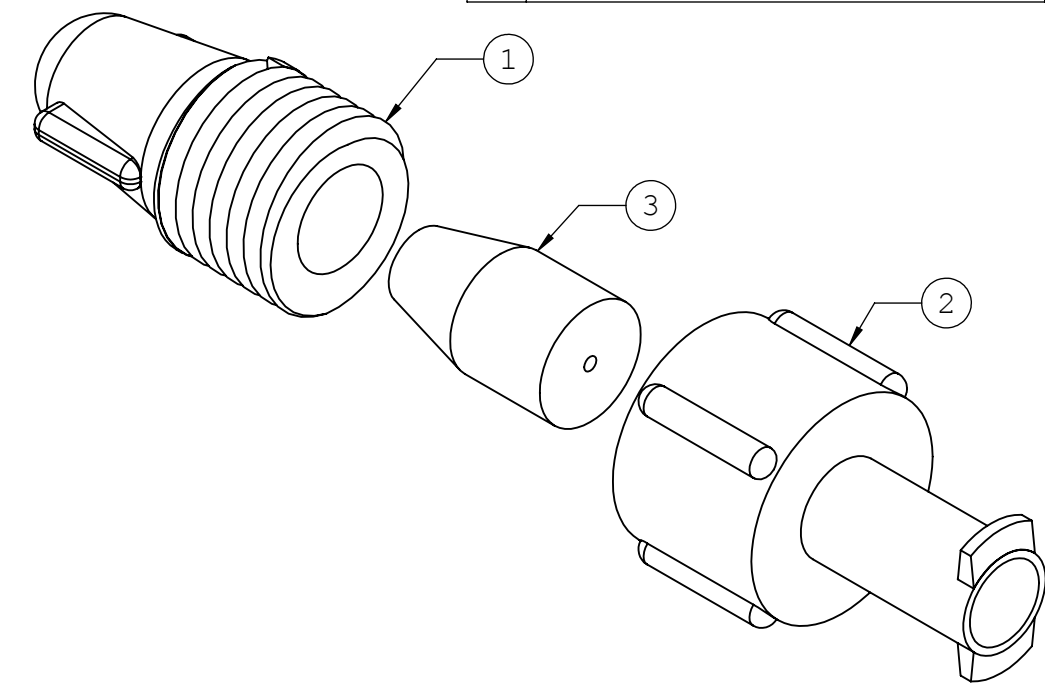
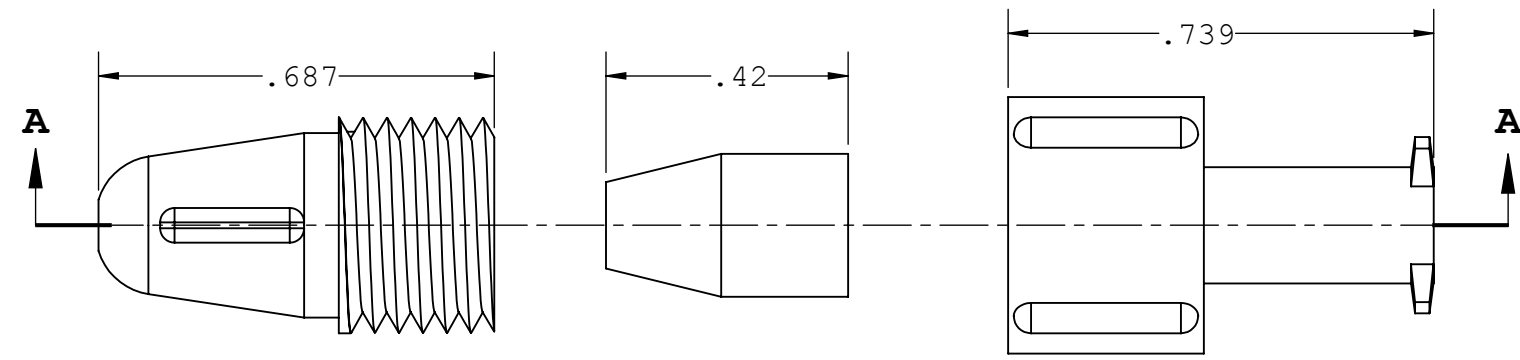


- NOTES: 1. FOR ADDITIONAL DETAILS, PLEASE CONTACT VP NEW PRODUCT DEVELOPMENT
 2. DIMENSIONS MARKED \varnothing ARE CENTRAL DIMENSIONS
 3. VENDOR CERTIFICATION OF COMPLIANCE REQUIRED
 4. PART SHOWN MAY VARY SLIGHTLY IN APPEARANCE, MINOR DIFFERENCES NOT EFFECTING DIMENSIONAL CONFORMANCE ARE ACCEPTABLE

REVISIONS			
REV.	DESCRIPTION	DATE	APPROVED
A	INITIAL RELEASE	10/02/14	H.L
B	ECO 339 - ADD TBA3084-002	07-25-16	FJL



ASSEMBLY SKU	ITEM	DESCRIPTION	QTY
TBA3084-001	1	PEDIATRIC ADAPTER W/OUT SIDEPORT - CLEAR PVC	1
	2	MALE COMPRESSION CAP - RED PVC	1
	3	GASKET .084 - NATURAL KRATON	1
TBA3084-002	1	PEDIATRIC ADAPTER W/OUT SIDEPORT - CLEAR PVC	1
	2	MALE COMPRESSION CAP - BLUE PVC	1
	3	GASKET .084 - NATURAL KRATON	1

UNLESS OTHERWISE SPECIFIED DIMENSIONS ARE IN INCHES TOLERANCES ARE:		VALUE PLASTICS, INC			
FRACTIONS DECIMAL ANGULAR ± .XX ±.01 ± 1° .XXX ±.005 .XXXX ±.001		PART NUMBER: TBA3084			
DO NOT SCALE DRAWING		DESCRIPTION: Pediatric Tuohy Borst Adapter without side port, Body, Cap, 0.084" ID Gasket			
DRAWN BY: marie.morleyjahn	DATE: 7/25/2016	SIZE: B	SCALE: NTS	VER: 1032870	REV B
MANAGER: huadong.lou		© 2016 VALUE PLASTICS, INC			SHEET: 1 OF 1

FOR REFERENCE ONLY