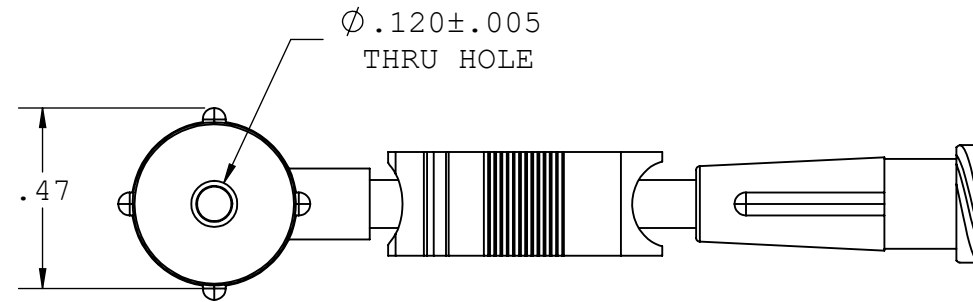
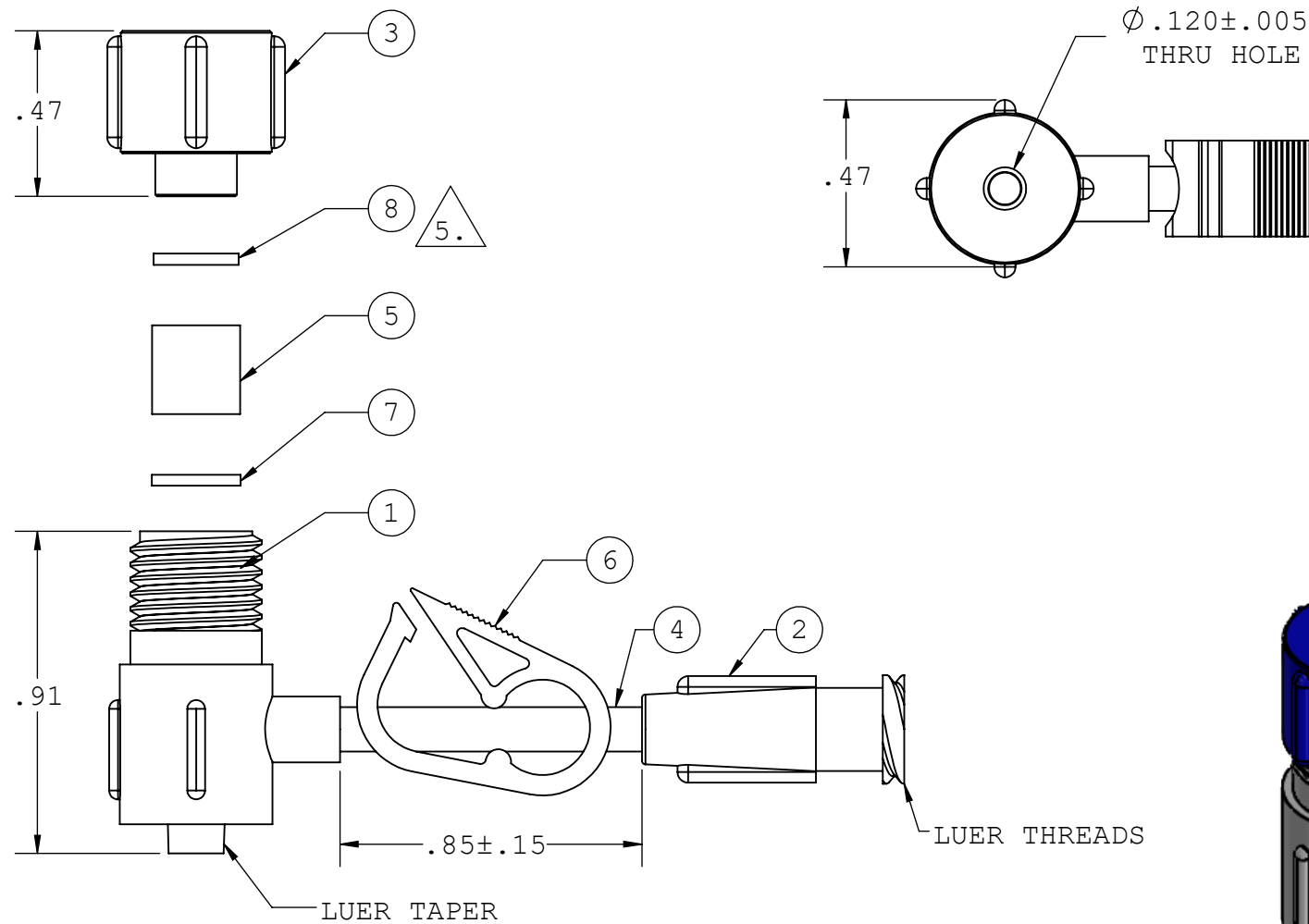
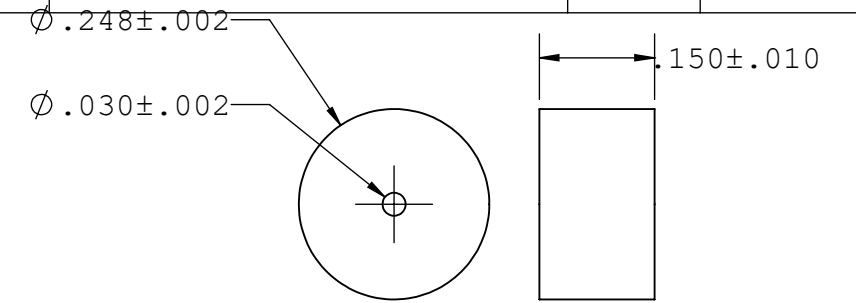


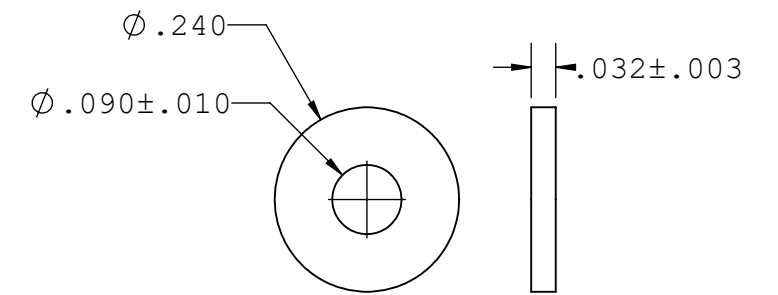
- NOTES: 1. FOR ADDITIONAL DETAILS, PLEASE CONTACT VP NEW PRODUCT DEVELOPMENT
 2. DIMENSIONS MARKED \varnothing ARE CENTRAL DIMENSIONS
 3. VENDOR CERTIFICATION OF COMPLIANCE REQUIRED
 4. PART SHOWN MAY VARY SLIGHTLY IN APPEARANCE, MINOR DIFFERENCES NOT EFFECTING DIMENSIONAL CONFORMANCE ARE ACCEPTABLE
 5. PART NOT USED IN ALL CONFIGURATIONS



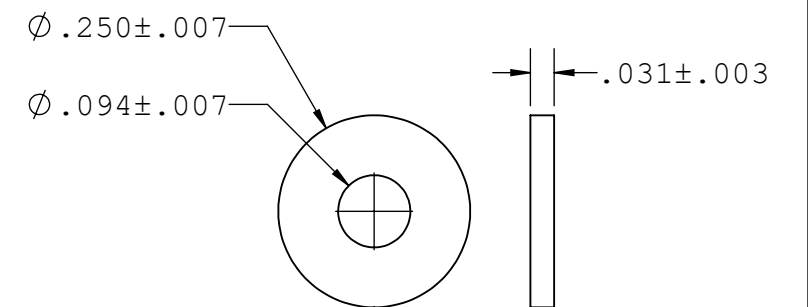
REVISIONS			
REV.	DESCRIPTION	DATE	APPROVED
A	INITIAL RELEASE	10/02/14	H.L
B	ECO 345	03-28-17	FJL
C	ECO 384	6-20-18	FJL



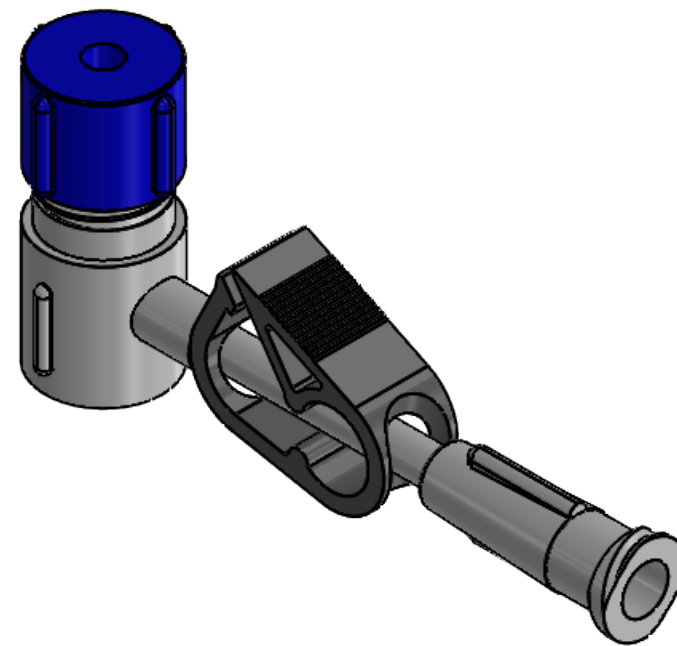
DETAIL VIEW:
ITEM 5



DETAIL VIEW:
ITEM 7



DETAIL VIEW:
5. ITEM 8



ASSEMBLY SKU	ITEM	DESCRIPTION	QTY
TBA4030P-003	1	ADAPTER BODY W/ SIDEPORT - DEHP FREE, CLEAR PVC	1
	2	FEMALE LUER - DEHP FREE, CLEAR PVC	1
	3	MALE CAP - BLUE PA ABS	1
	4	TUBING - CLEAR 80A PELLETHANE	1
	5	GASKET .030 - SILICONE	1
	6	MINI CLAMP - NATURAL ACETAL	1
	7	#2 FLAT WASHER - LT. BLUE HDPE	1
TBA4030P-004	1	ADAPTER BODY W/ SIDEPORT - DEHP FREE, CLEAR PVC	1
	2	FEMALE LUER - DEHP FREE, CLEAR PVC	1
	3	MALE CAP - BLUE PA ABS	1
	4	TUBING - CLEAR 80A PELLETHANE	1
	5	GASKET .030 - SILICONE	1
	6	MINI CLAMP - NATURAL ACETAL	1
	7	#2 FLAT WASHER - LT. BLUE HDPE	1
	8	#2 FLAT WASHER - NATURAL TEFLON	1

UNLESS OTHERWISE SPECIFIED
 DIMENSIONS ARE IN INCHES
 TOLERANCES ARE:
 FRACTIONS DECIMAL ANGULAR
 ± .XX ±.01 ± 1°
 .XXX ±.005
 .XXXX ±.001
 DO NOT SCALE DRAWING

VALUE PLASTICS, INC

PART NUMBER: TBA4030P
 DESCRIPTION: Tuohy Borst Adapter with Sideport, Body, Cap, 0.030" ID Gasket, Tubing, Female Luer, Mini Clamp, and Washer(s), DEHP Free

DRAWN BY: marie.morleyjahn	DATE: 6/20/2018	SIZE: B	SCALE: NTS	VER:	DWG. NO. 1032869	REV C
MANAGER: Frank.Lombardi					© 2017 VALUE PLASTICS, INC	SHEET: 1 OF 1

FOR REFERENCE ONLY