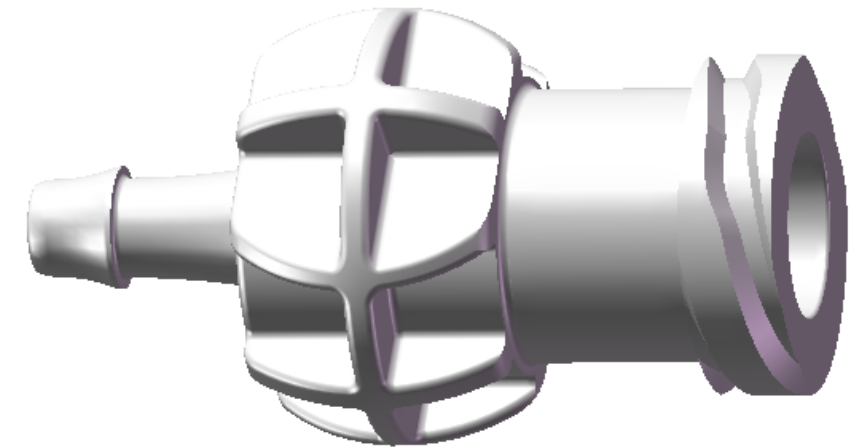
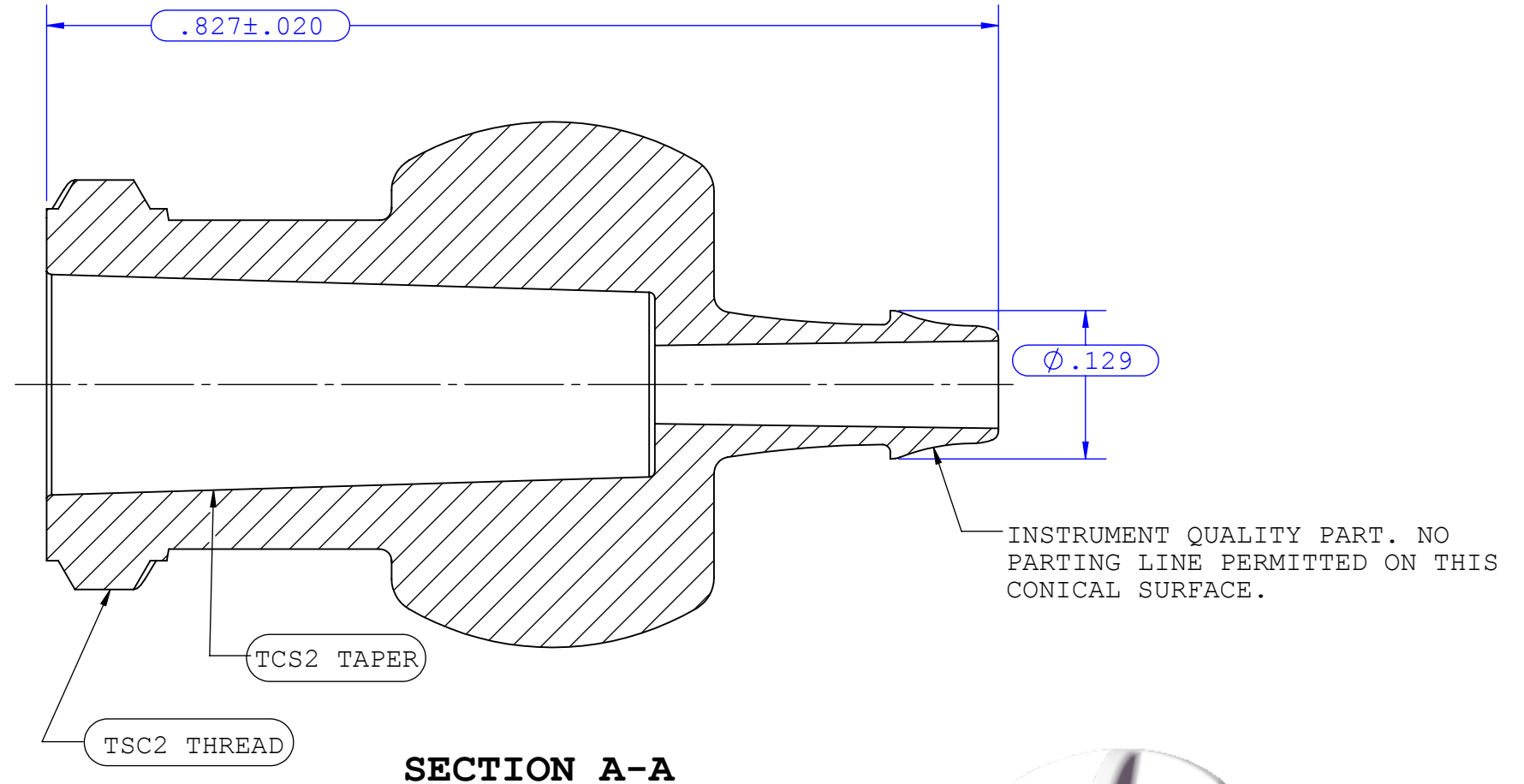
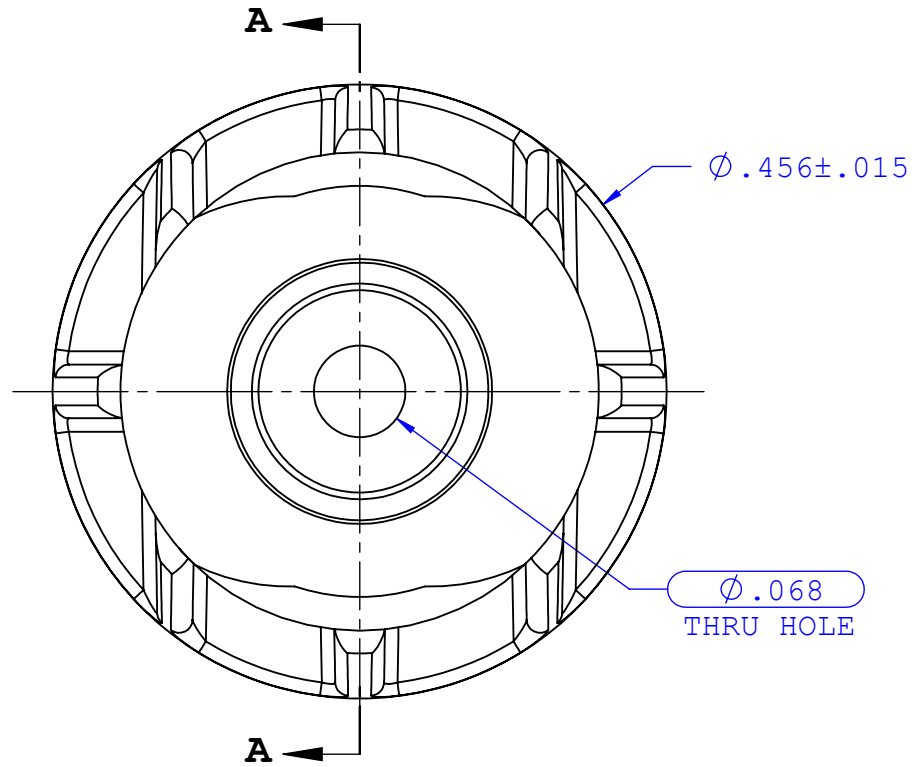


NOTES: FOR ADDITIONAL DETAILS, PLEASE CONTACT VP PRODUCT DEVELOPMENT  
 DIMENSIONS MARKED  $\phi$  ARE CONTROL DIMENSIONS

REVISIONS			
REV.	DESCRIPTION	DATE	APPROVED
A	INITIAL RELEASE	11-12-08	S.N.R



UNLESS OTHERWISE SPECIFIED DIMENSIONS ARE IN INCHES TOLERANCES ARE:		<b>VALUE PLASTICS, INC</b>				
FRACTIONS	DECIMAL					ANGULAR
$\pm$	.XX $\pm .01$	$\pm 1^\circ$	DESCRIPTION:	FEMALE THREAD STYLE TAPER FITTING TO 500 SERIES BARB, 3/32" (2.4mm) ID TUBING		
	.XXX $\pm .005$		SIZE:	<b>B</b>		
	.XXXX $\pm .001$		SCALE:	NTS		
DO NOT SCALE DRAWING			VER:			
DRAWN BY:	DATE:	SIZE:	SCALE:	VER:	DWG. NO.	REV
Pete Lewis	11/12/2008	<b>B</b>	NTS		1013773	A
NEW PRODUCT DEVELOPMENT MGR:		© 2008 VALUE PLASTICS, INC			SHEET: 1 OF 1	
R. Narayanan						

**FOR REFERENCE ONLY**