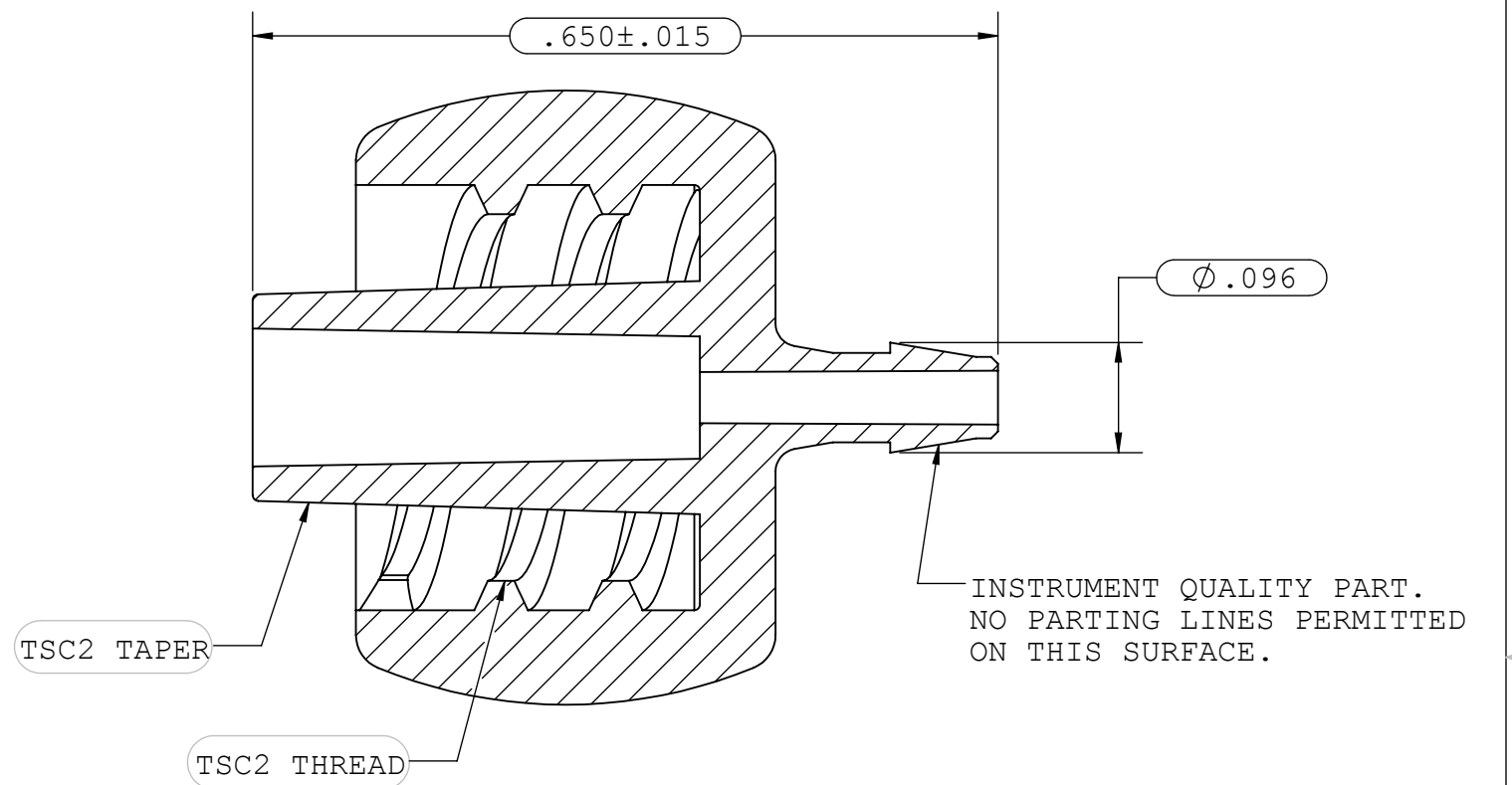
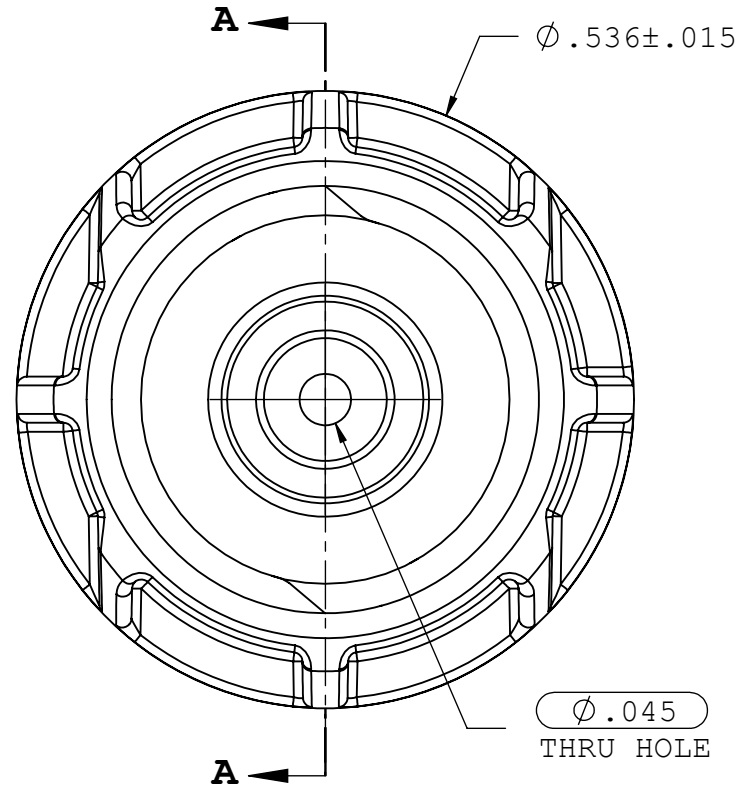
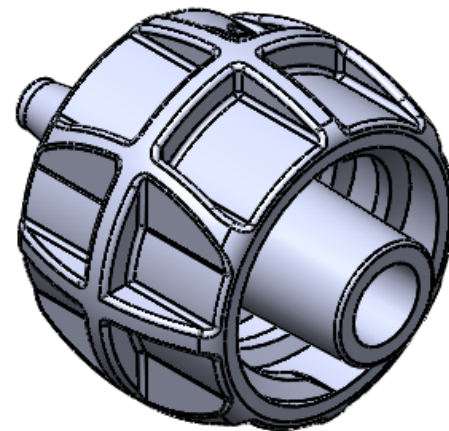


NOTES: FOR ADDITIONAL DETAILS, PLEASE CONTACT VP CUSTOMER SERVICE
 DIMENSIONS MARKED ϕ ARE CONTROL DIMENSIONS

REVISIONS			
REV.	DESCRIPTION	DATE	APPROVED
A	INITIAL RELEASE	12/10/10	S.N.R



SECTION A-A



UNLESS OTHERWISE SPECIFIED DIMENSIONS ARE IN INCHES TOLERANCES ARE:		VALUE PLASTICS, INC			
FRACTIONS DECIMAL ANGULAR \pm .XX \pm .01 \pm 1° .XXX \pm .005 .XXXX \pm .001 DO NOT SCALE DRAWING		PART NUMBER: TSC2M210			
DRAWN BY: kyles		DATE: 12/10/2010		DESCRIPTION: Male Locking Taper Fitting to 200 Series Barb, 1/16" (1.60mm) ID Tubing	
NEW PRODUCT DEVELOPMENT MGR: R. Narayanan		SIZE: B	SCALE: NTS	VER: 1018880	DWG. NO. 1018880
© 2009 VALUE PLASTICS, INC				SHEET: 1 OF 1	

FOR REFERENCE ONLY