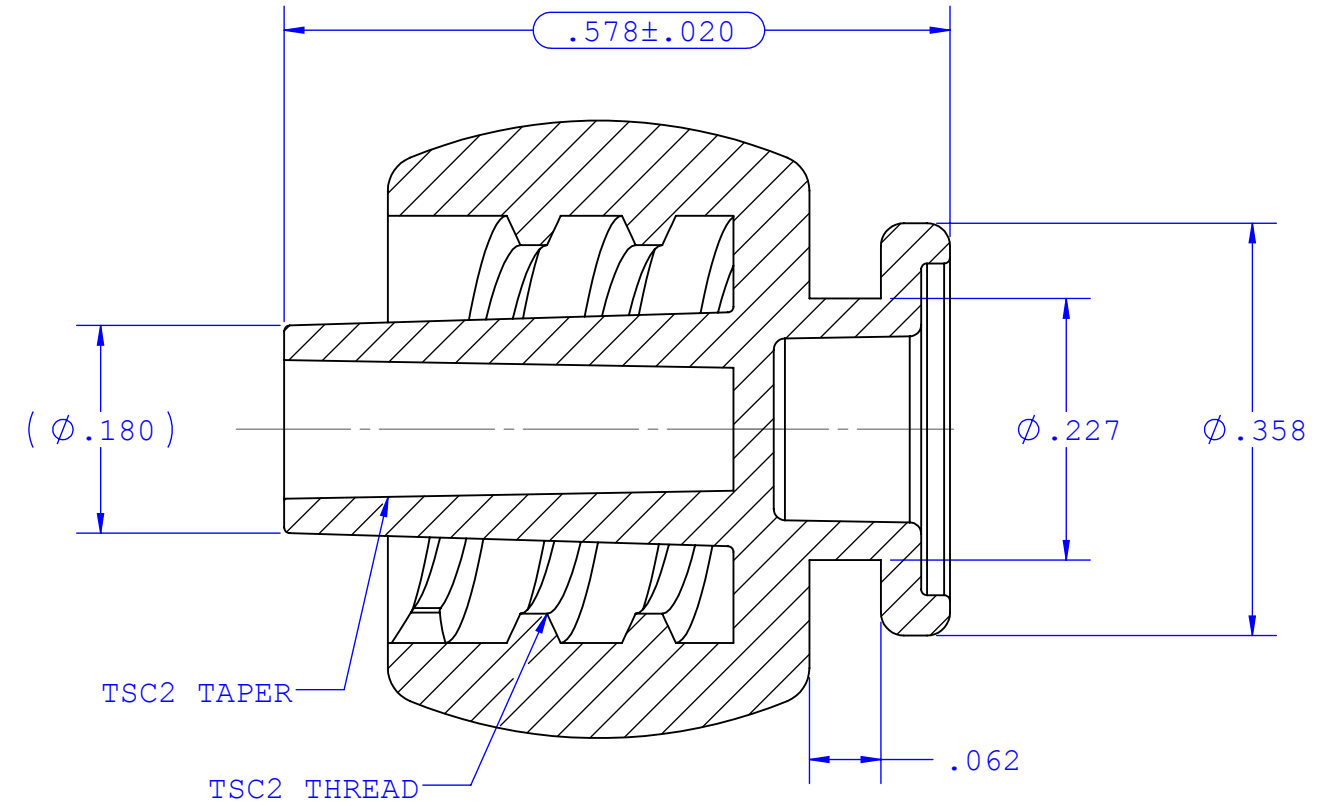
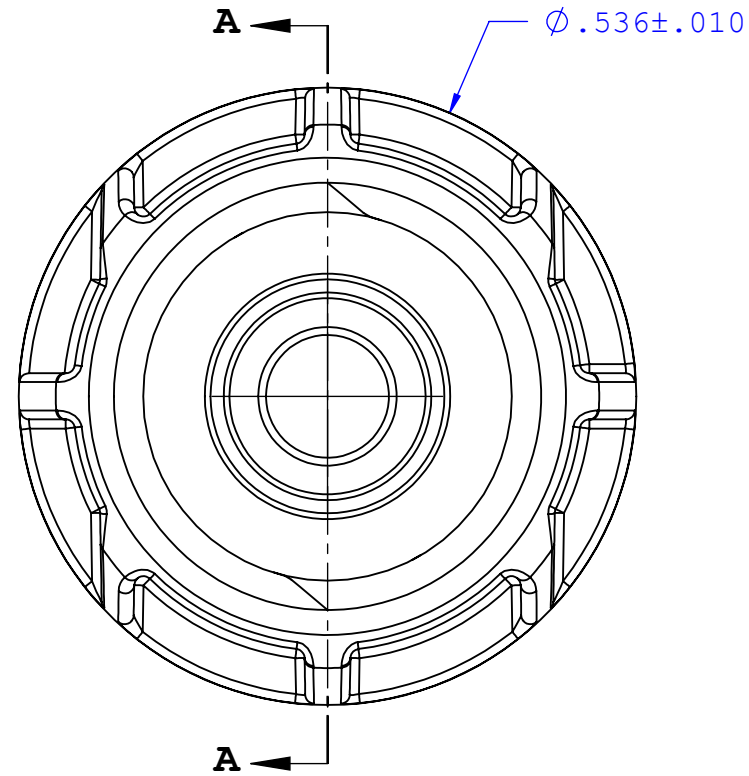
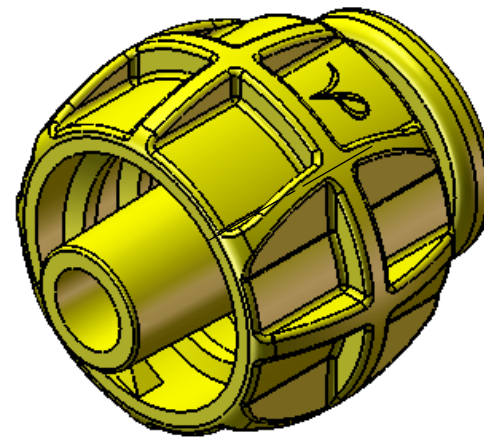


NOTES: FOR ADDITIONAL DETAILS, PLEASE CONTACT VP CUSTOMER SERVICE
 DIMENSIONS MARKED ARE CONTROL DIMENSIONS

REVISIONS			
REV.	DESCRIPTION	DATE	APPROVED
A	INITIAL RELEASE	01-19-09	



SECTION A-A



UNLESS OTHERWISE SPECIFIED DIMENSIONS ARE IN INCHES TOLERANCES ARE:		VALUE PLASTICS, INC			
FRACTIONS DECIMAL ANGULAR ± .XX ±.01 ± 1° .XXX ±.005 .XXXX ±.001		PART NUMBER: TSC2MP			
DO NOT SCALE DRAWING		DESCRIPTION: Male Locking Fitting Integral Lock Ring Plug			
DRAWN BY: randy.sakurada	DATE: 1/26/2009	SIZE: B	SCALE: NTS	VER: 1014441	DWG. NO. 1014441
ENGINEERING MGR: R. Cairns		© 2009 VALUE PLASTICS, INC			REV A
					SHEET: 1 OF 1

FOR REFERENCE ONLY