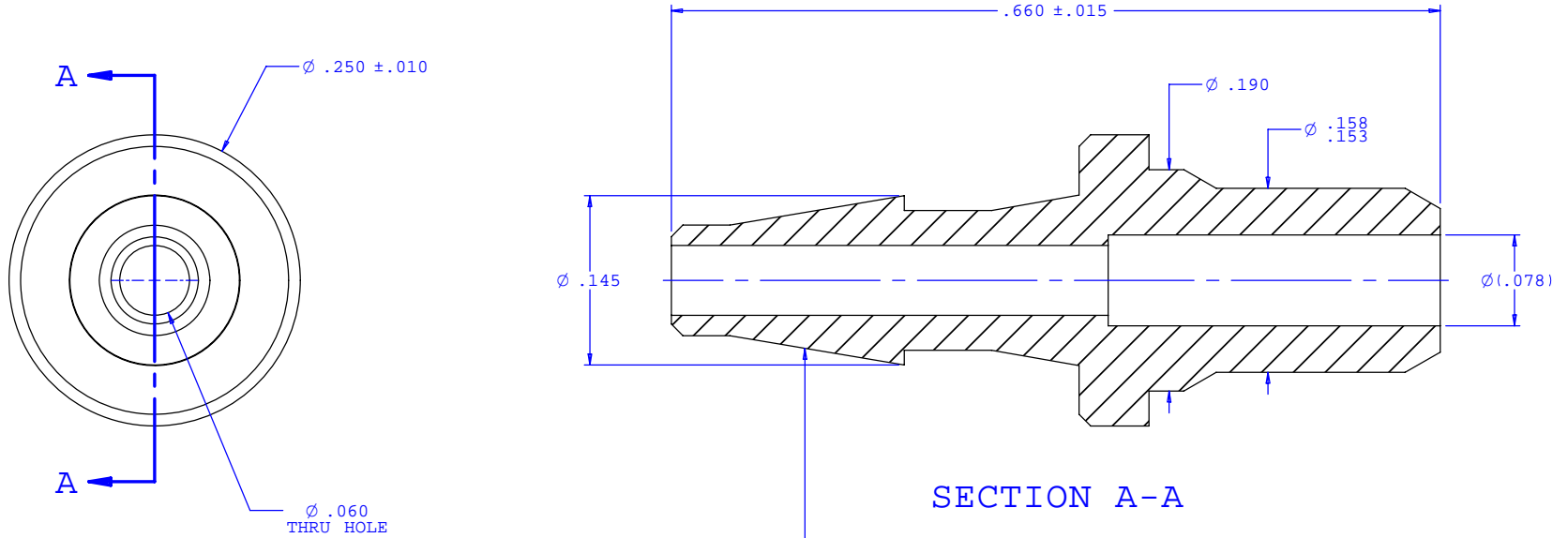
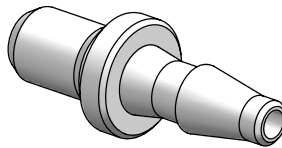


NOTE: FOR MORE DETAILS SEE YOUR V.P. CUSTOMER SERVICE REP.

REVISIONS			
REV.	DESCRIPTION	DATE	APPROVED
A	INITIAL RELEASE	12-27-97	
B	CO 046 DRAFTING UPDATE	07-23-07	Rick C.



INSTRUMENT QUALITY PART. NO PARTING LINE ALLOWED ON THIS CONICAL SURFACE.



UNLESS OTHERWISE SPECIFIED DIMENSIONS ARE IN INCHES TOLERANCES ARE:		<b>VALUE PLASTICS, INC.</b>	
FRACTIONS ±	DECIMALS .XX ±.01 .XXX ±.005 .XXXX ±.001	ANGULAR ±1°	PART NUMBER: <b>U20</b>
DO NOT SCALE DRAWING		DESCRIPTION: Ultrasonically Weldable Fittings to Classic Series Barb, 3/32" (2.25 mm) ID Tubing	
DRAWN BY: <b>Randy Sakurada</b>	DATE: <b>01-22-07</b>	SIZE: <b>B</b>	SCALE: <b>NTS</b>
ENGINEER/ MANAGER: <b>Rick Cairns</b>		DRAWING NUMBER: <b>1010103</b>	REV. <b>B</b>
© 2007 VALUE PLASTICS, INC.			SHEET: 1 OF 1

**FOR REFERENCE ONLY**