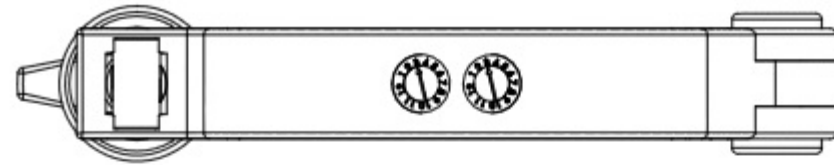
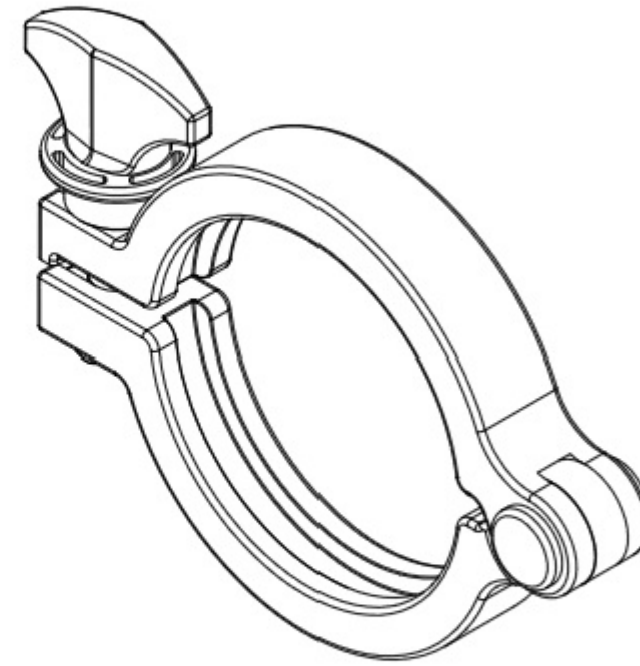
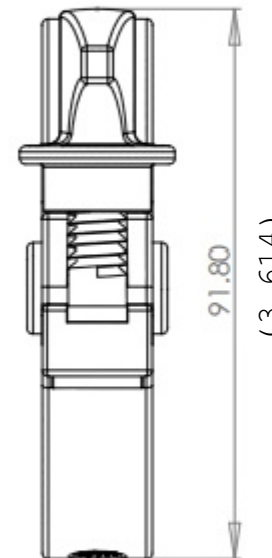
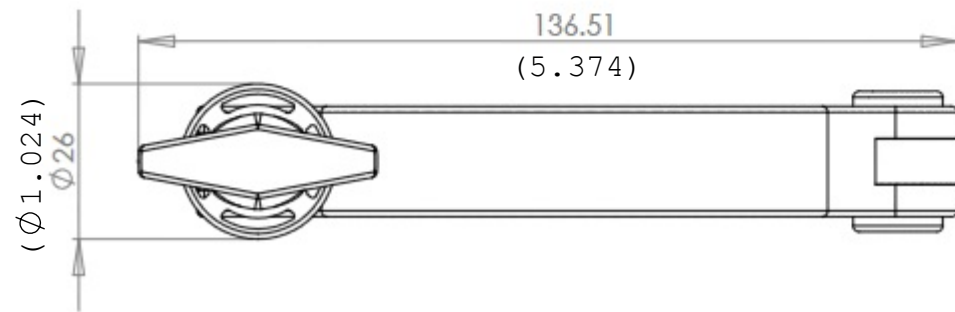
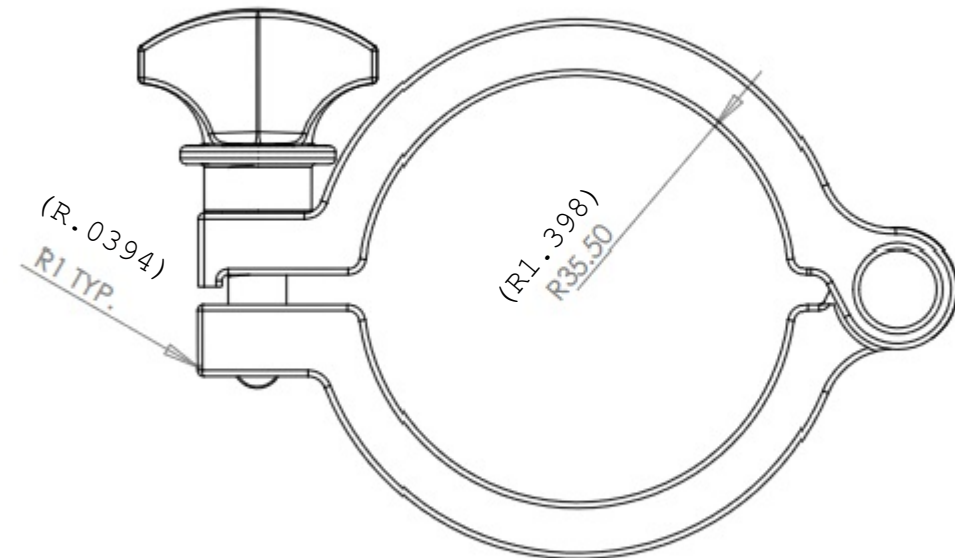


NOTES: FOR ADDITIONAL DETAILS, PLEASE CONTACT VP NEW PRODUCT DEVELOPMENT  
 DIMENSIONS MARKED  ARE CONTROL DIMENSIONS

REVISIONS			
REV.	DESCRIPTION	DATE	APPROVED
A	INITIAL RELEASE	6-18-13	RAVI N.



CLOCK



UNLESS OTHERWISE SPECIFIED DIMENSIONS ARE IN INCHES TOLERANCES ARE:		<b>VALUE PLASTICS, INC</b>			
FRACTIONS ±	DECIMAL .XX ±.01 .XXX ±.005 .XXXX ±.001	ANGULAR ± 1°	PART NUMBER: VNG250WHT		
DO NOT SCALE DRAWING			DESCRIPTION: Clamp, Maxi 2.5", Glass Reinforced White Nylon		
DRAWN BY: J. MAYER	DATE: 11/13/2013	SIZE: <b>B</b>	SCALE: NTS	VER: 	DWG. NO. 1027247
MANAGER: RAVI N.		© 2011 VALUE PLASTICS, INC			REV A
				SHEET: 1 OF 1	