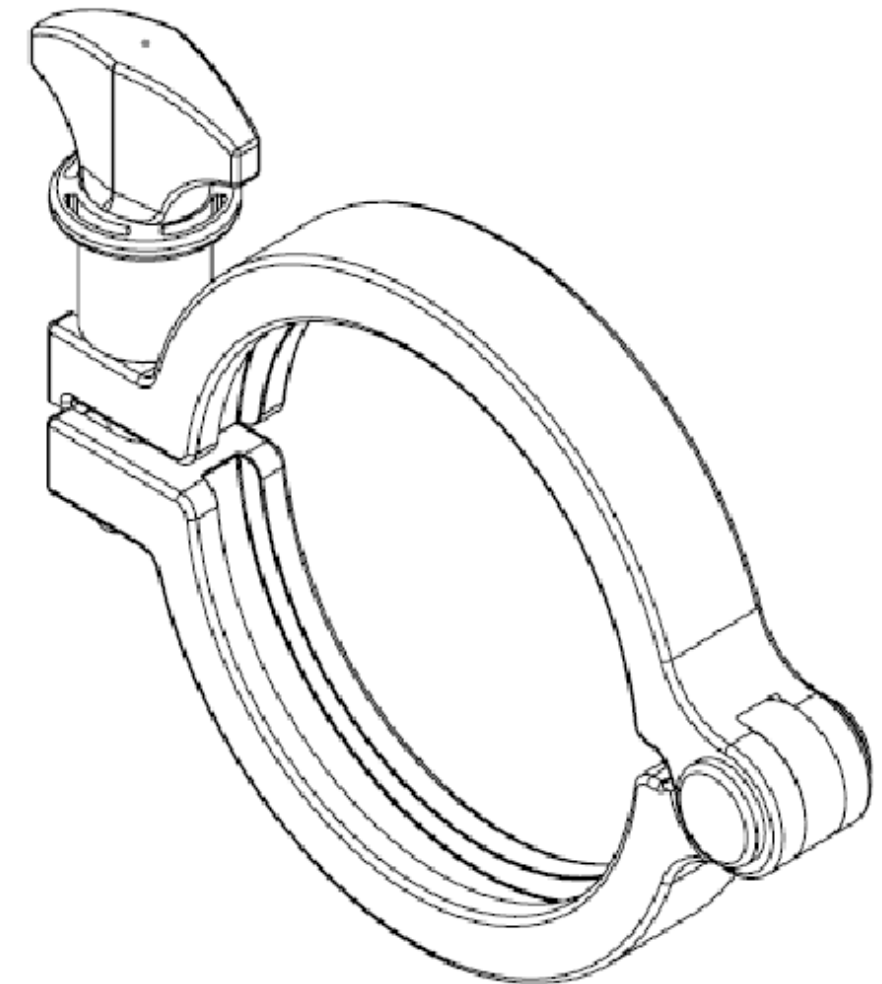
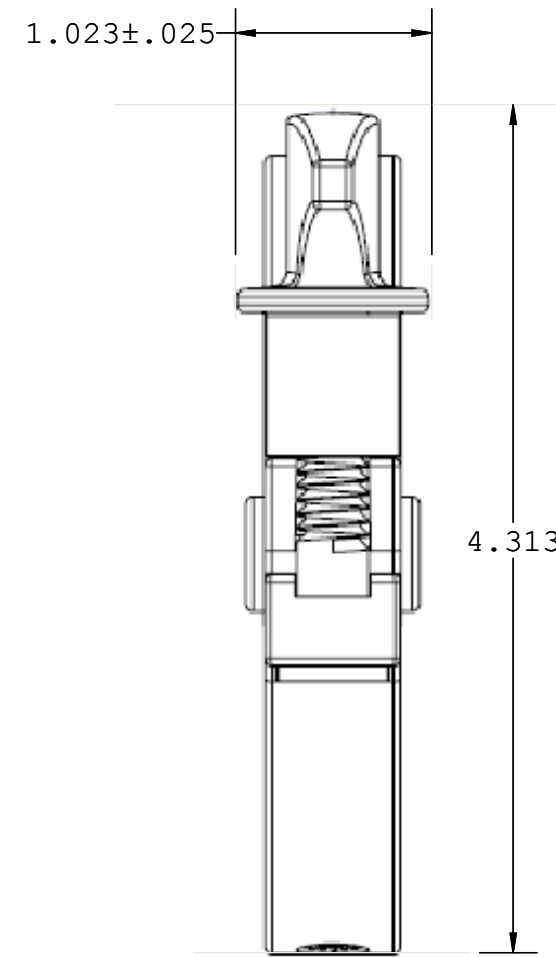
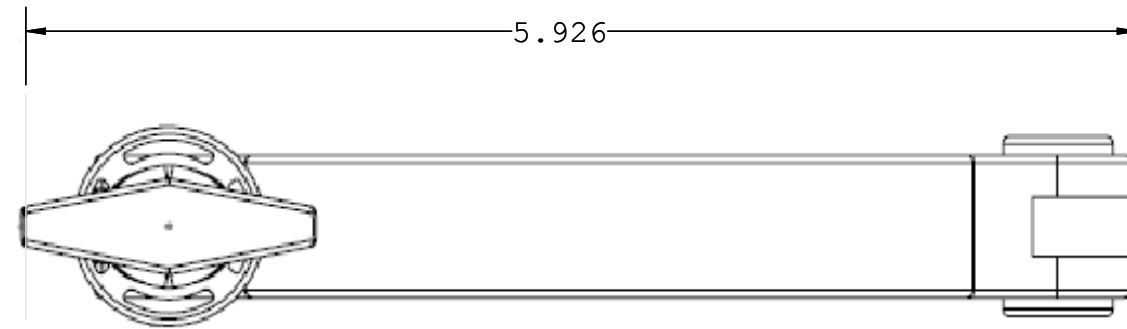
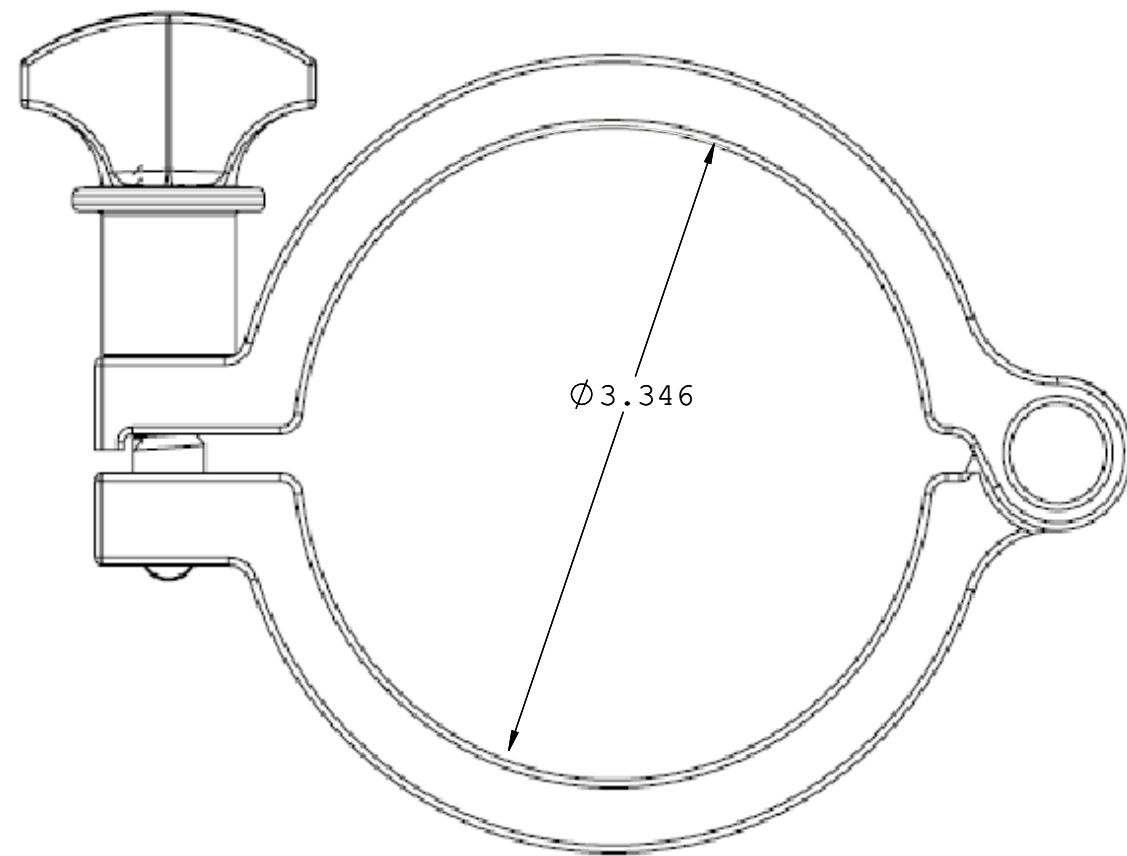
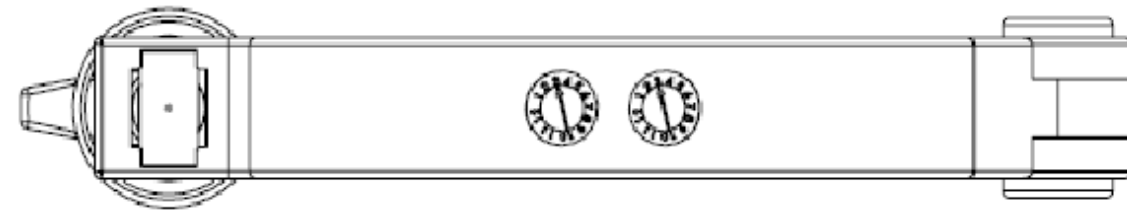


NOTES: FOR ADDITIONAL DETAILS, PLEASE CONTACT VP CUSTOMER SERVICE  
 DIMENSIONS MARKED  ARE CONTROL DIMENSIONS

REVISIONS			
REV.	DESCRIPTION	DATE	APPROVED
A1	INITIAL RELEASE	9/11/2012	



UNLESS OTHERWISE SPECIFIED DIMENSIONS ARE IN INCHES TOLERANCES ARE:		<b>VALUE PLASTICS, INC</b>			
FRACTIONS    DECIMAL    ANGULAR ±                .XX ±.01       ± 1° .XXX ±.005 .XXXX ±.001		PART NUMBER: VNG300WHT			
DO NOT SCALE DRAWING		DESCRIPTION: Clamp, Maxi 3", Glass Reinforced White Nylon			
DRAWN BY: Marcus Kincaid	DATE: 9/11/2012	SIZE: <b>B</b>	SCALE: NTS	VER: 	DWG. NO. 1024592
MANAGER: Rick C.		© 2011 VALUE PLASTICS, INC			REV A
SHEET:				1 OF 1	

**FOR REFERENCE ONLY**