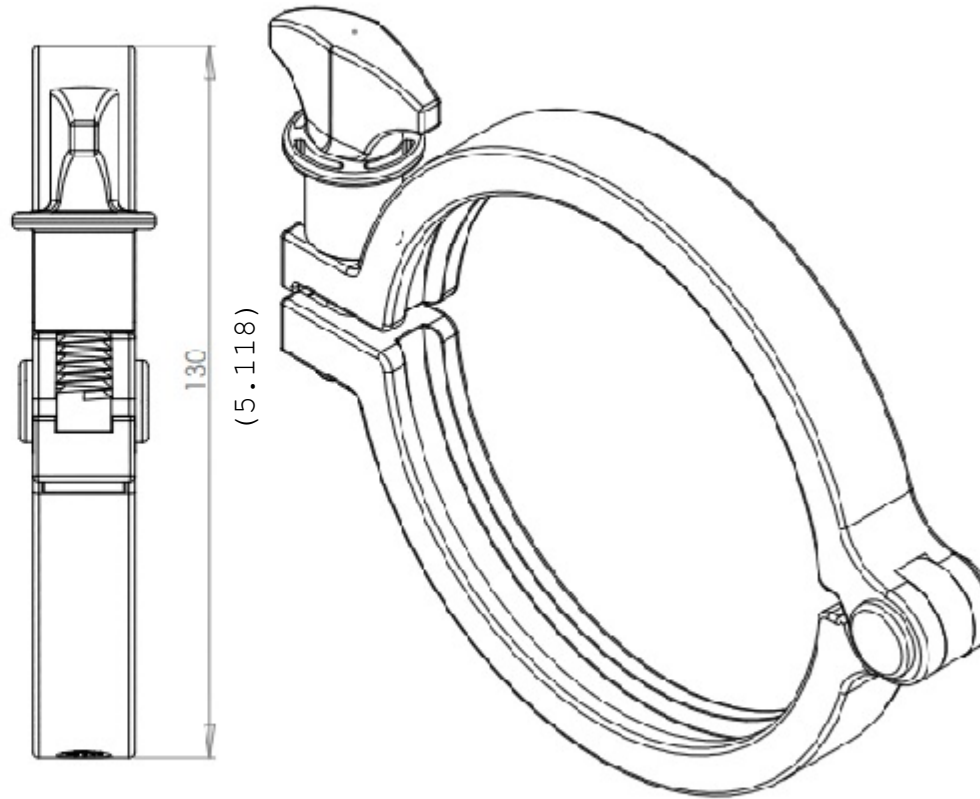
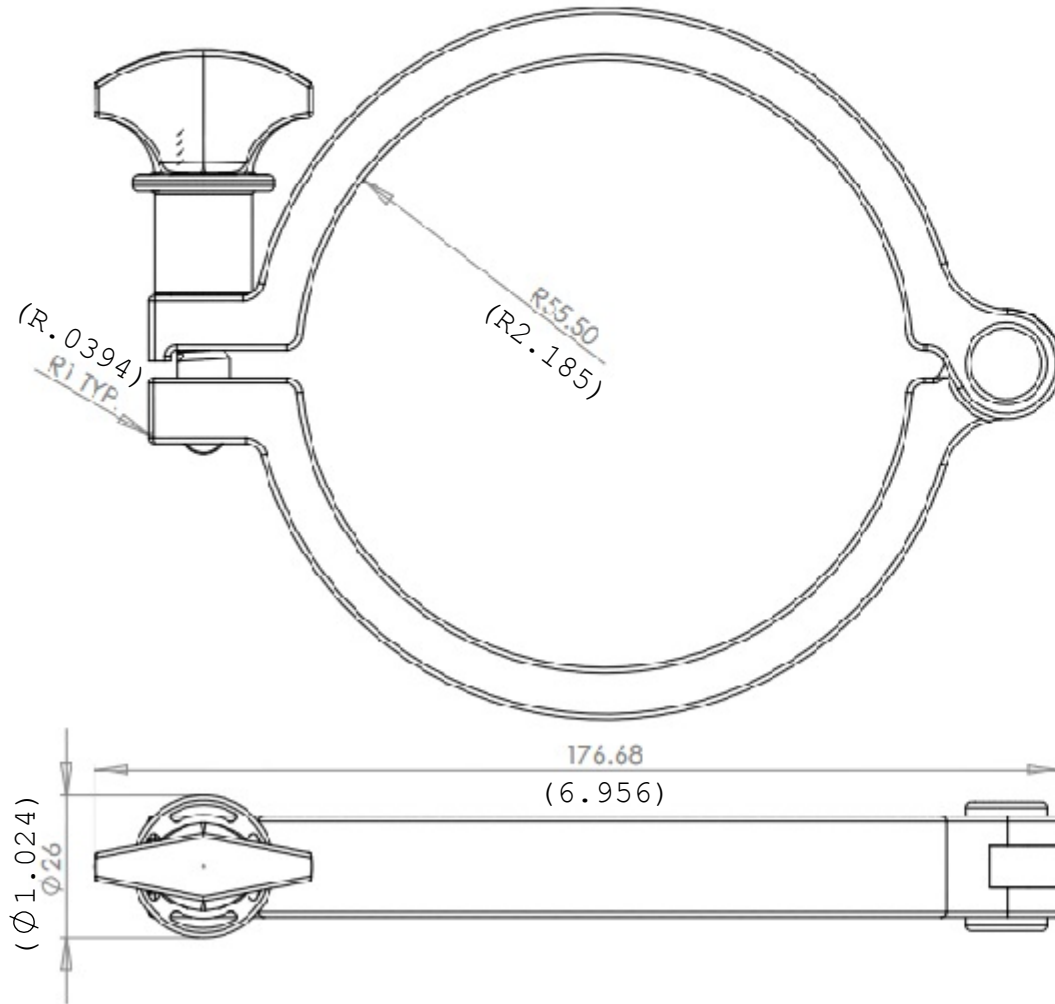


NOTES: FOR ADDITIONAL DETAILS, PLEASE CONTACT VP NEW PRODUCT DEVELOPMENT
 DIMENSIONS MARKED  ARE CONTROL DIMENSIONS

REVISIONS			
REV.	DESCRIPTION	DATE	APPROVED
A	INITIAL RELEASE	6-18-13	S.N.R



UNLESS OTHERWISE SPECIFIED DIMENSIONS ARE IN INCHES TOLERANCES ARE:		VALUE PLASTICS, INC			
FRACTIONS ±	DECIMAL . XX ±.01 .XXX ±.005 .XXXX ±.001	ANGULAR ± 1°	PART NUMBER: VNG400WHT		
DO NOT SCALE DRAWING			DESCRIPTION: Clamp, Maxi 4", Glass Reinforced White Nylon		
DRAWN BY: J. MAYER	DATE: 11/13/2013	SIZE: B	SCALE: NTS	VER: 	DWG. NO. 1027248
MANAGER: RAVI N.		© 2011 VALUE PLASTICS, INC			REV A
SHEET:				1 OF 1	