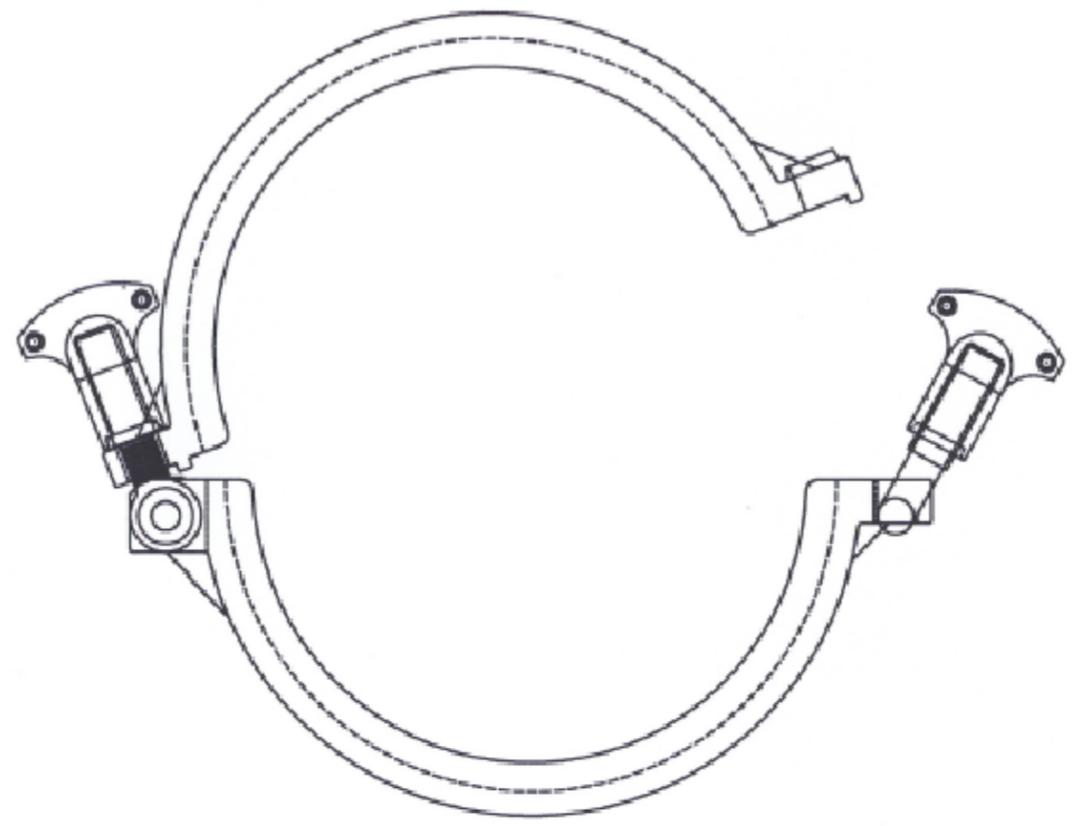
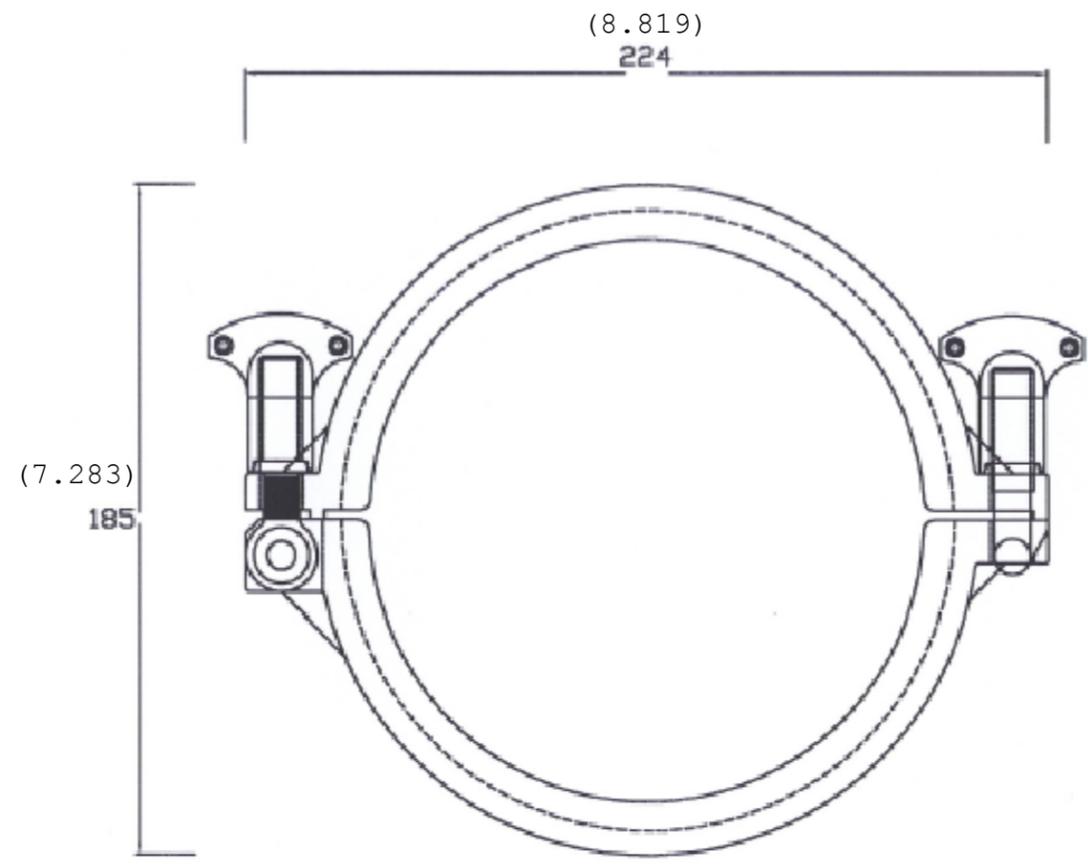


NOTES: FOR ADDITIONAL DETAILS, PLEASE CONTACT VP NEW PRODUCT DEVELOPMENT  
 DIMENSIONS MARKED  ARE CONTROL DIMENSIONS

| REVISIONS |                 |         |          |
|-----------|-----------------|---------|----------|
| REV.      | DESCRIPTION     | DATE    | APPROVED |
| A         | INITIAL RELEASE | 6-18-13 | S.N.R    |
|           |                 |         |          |



|   |   |                            |  |                  |                     |
|---|---|----------------------------|--|------------------|---------------------|
| UNLESS OTHERWISE SPECIFIED<br>DIMENSIONS ARE IN INCHES<br>TOLERANCES ARE: |   | <b>VALUE PLASTICS, INC</b> |  |                  |                     |
| FRACTIONS<br>±  | DECIMAL<br>. XX ±.01<br>.XXX ±.005<br>.XXXX ±.001 | ANGULAR<br>± 1°            | PART NUMBER:<br>VNG600WH                                     |                  |                     |
| DO NOT SCALE DRAWING  |   |                            | DESCRIPTION:<br>Clamp, Maxi 6", Glass Reinforced White Nylon |                  |                     |
| DRAWN BY:<br>J. MAYER   | DATE:<br>11/13/2013                               | SIZE:<br><b>B</b>          | SCALE:<br>NTS  | VER:<br>         | DWG. NO.<br>1027249 |
| MANAGER:<br>RAVI N.   |   | © 2011 VALUE PLASTICS, INC |  |                  | REV<br>A            |
|   |   |                            |  | SHEET:<br>1 OF 1 |                     |