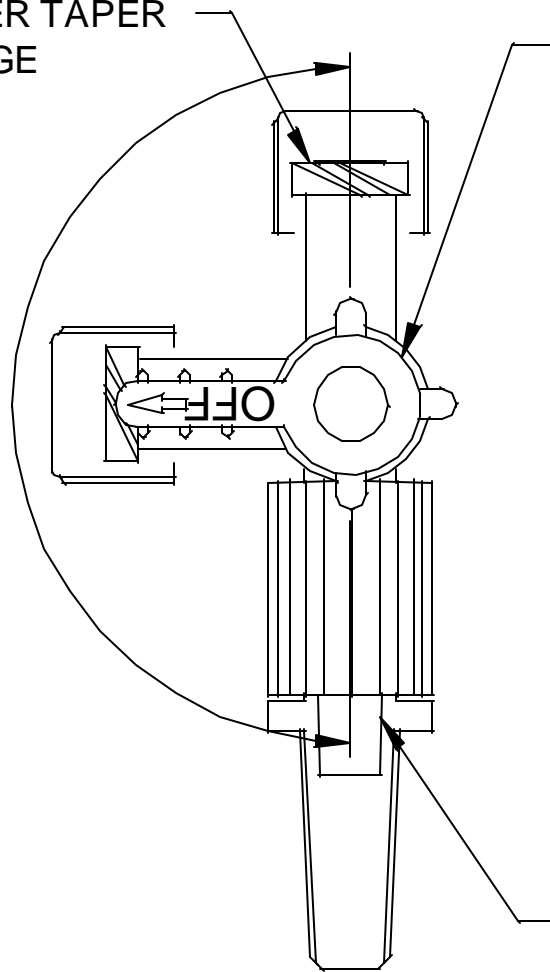
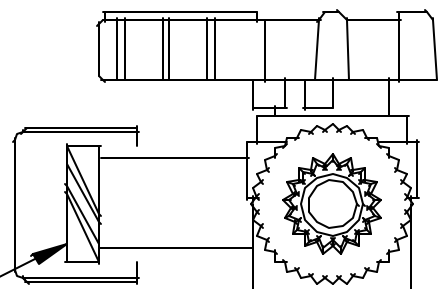


FEMALE LUER TAPER
W/ L.L. FLANGE

FLOW CONTROL HANDLE
180° ROTATION



MALE LUER TAPER
W/ ROTATING LUER
LOCK COLLAR



FEMALE LUER TAPER
W/ L.L. FLANGE

B. Braun Medical Inc.
Bethlehem, PA 18018

D-300 STOPCOCK ASSY.

PART OR PRODUCT NO.: B1000079

APPROVED BY:

DATE 7-20-92 RM

DWG. NO. REV. NO.

SCALE 2:1

CP-419