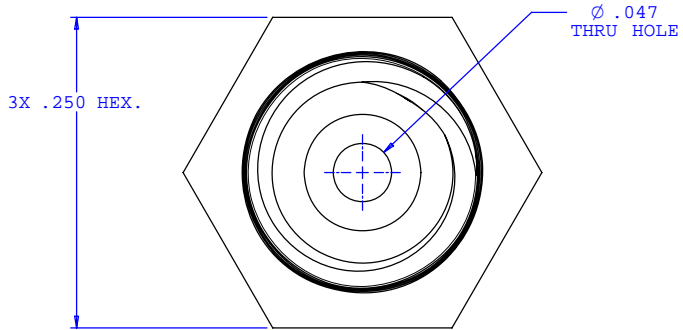
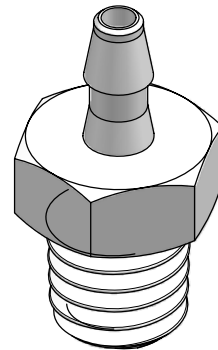
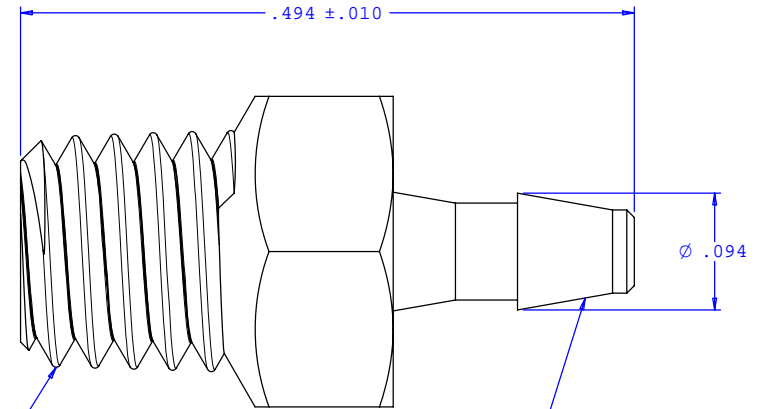


NOTE: FOR MORE DETAILS SEE YOUR V.P. CUSTOMER SERVICE REP.

REVISIONS			
REV.	DESCRIPTION	DATE	APPROVED
A	INITIAL RELEASE	03-24-98	
B	CO 031 Drafting Update	01-27-06	Rick C.



10-32 TAPERED THREAD
($\phi .195$) TAPER TO ($\phi .185$)



UNLESS OTHERWISE SPECIFIED DIMENSIONS ARE IN INCHES TOLERANCES ARE:		VALUE PLASTICS, INC.	
FRACTIONS ±	DECIMALS .XX ±.01 .XXX ±.005 .XXXX ±.001	ANGULAR ±1°	PART NUMBER: X210
DO NOT SCALE DRAWING		DESCRIPTION: 10-32 Special Tapered Thread with 1/4" Hex to 200 Series Barb, 1/16" (1.5 mm) ID Tubing	
DRAWN BY: Frank Lombardi	DATE: 10-29-05	SIZE: B	SCALE: NTS
Engineer/Manager: Rick Cairns		DRAWING NUMBER: 1007760	REV. B
© 2005 VALUE PLASTICS, INC.			SHEET: 1 OF 1

FOR REFERENCE ONLY