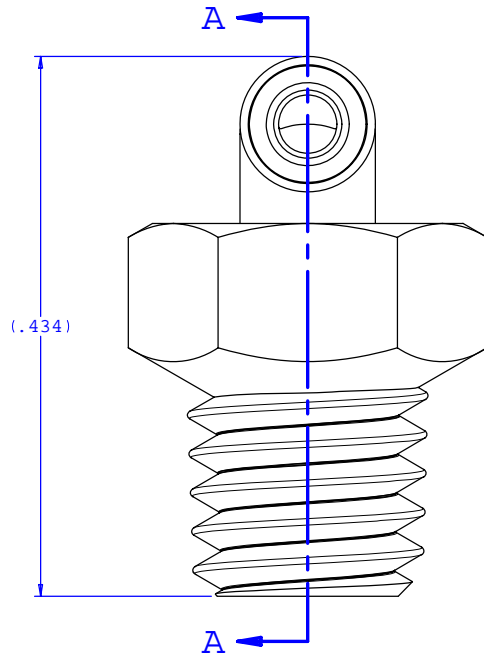
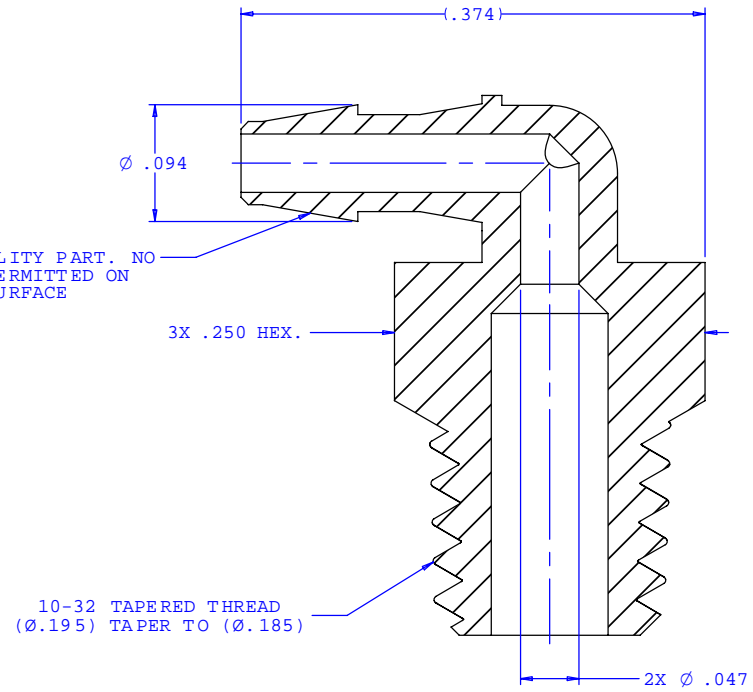


NOTE: FOR MORE DETAILS SEE YOUR V.P. CUSTOMER SERVICE REP.

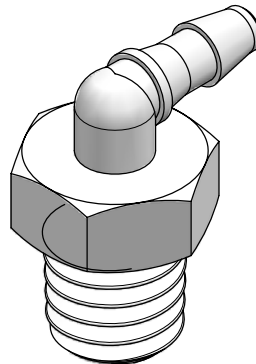
REVISIONS			
REV.	DESCRIPTION	DATE	APPROVED
A	INITIAL RELEASE	03-19-98	
B	CO 031 Drafting Update	01-27-06	Rick C.



INSTRUMENT QUALITY PART. NO PARTING LINE PERMITTED ON THIS CONICAL SURFACE



SECTION A-A



UNLESS OTHERWISE SPECIFIED DIMENSIONS ARE IN INCHES TOLERANCES ARE:		<b>VALUE PLASTICS, INC.</b>	
FRACTIONS ±	DECIMALS .XX ±.01 .XXX ±.005 .XXXX ±.001	ANGULAR ±1°	PART NUMBER: <b>XL210</b>
DO NOT SCALE DRAWING		DESCRIPTION: 10-32 Special Tapered Thread Elbow with 1/4" Hex to 200 Series Barb, 1/16" (1.5 mm) ID Tubing	
DRAWN BY: <b>Frank Lombardi</b>	DATE: <b>10-17-05</b>	SIZE: <b>B</b> SCALE: <b>NTS</b>	DRAWING NUMBER: <b>10077 21</b> REV. <b>B</b>
Engineer/Manager: <b>Rick Cairns</b>		© 2005 VALUE PLASTICS, INC. SHEET: 1 OF 1	

**FOR REFERENCE ONLY**