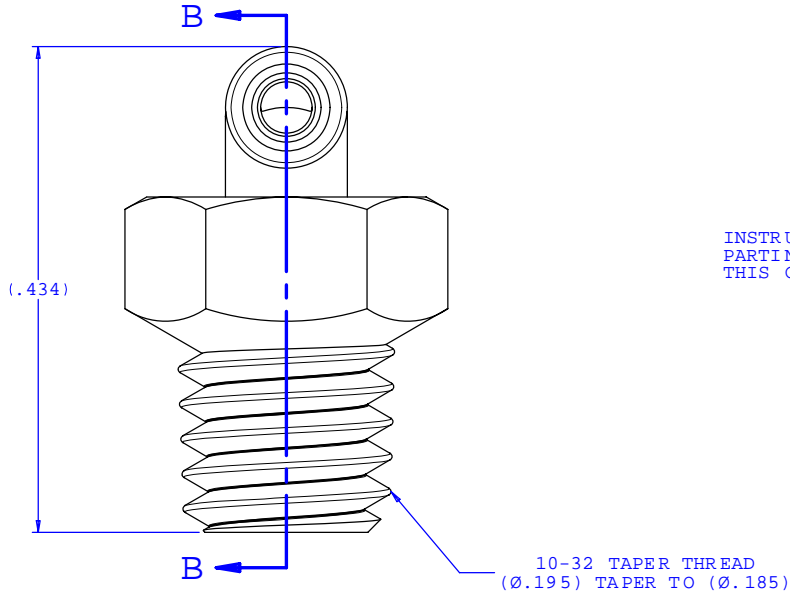
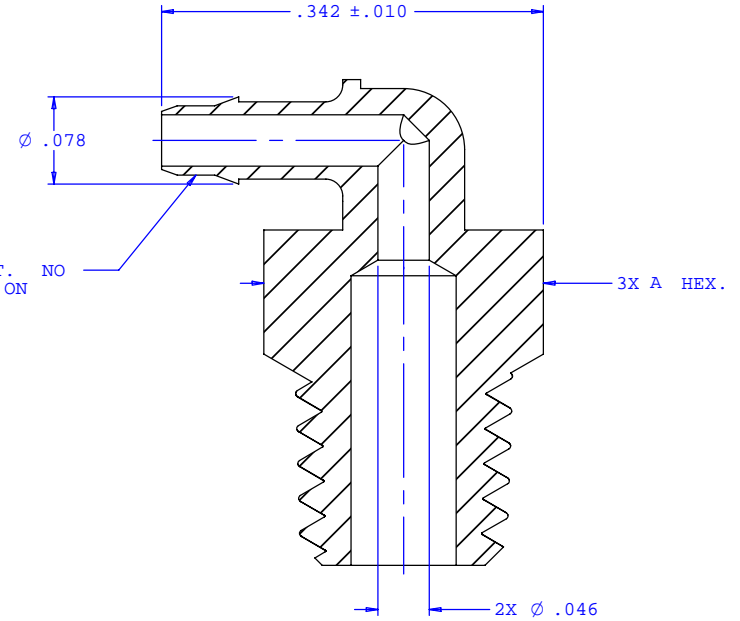


NOTE: FOR MORE DETAILS SEE YOUR V.P. CUSTOMER SERVICE REP.

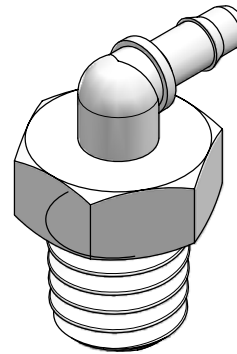
REVISIONS			
REV.	DESCRIPTION	DATE	APPROVED
A	INITIAL RELEASE	08-19-98	
B	CO 027 Drafting Update	10-10-05	Rick C.



INSTRUMENT QUALITY PART. NO PARTING LINE PERMITTED ON THIS CONICAL SURFACE



SECTION B-B



Dimension	Material Specific Tolerances							
	Acetal	Nylon	PP	ABS	PC	PVC	Polysulfone	J1A
A	.250	.250	.250	.250	.250	.250	.250	.244
B								
C								
D								
E								
F								

UNLESS OTHERWISE SPECIFIED DIMENSIONS ARE IN INCHES TOLERANCES ARE:		<b>VALUE PLASTICS, INC.</b>	
FRACTIONS ±	DECIMALS ±	ANGULAR ±1°	PART NUMBER: <b>XL410</b>
.XX ±	.XXX ±	.005 ±	DESCRIPTION: 10-32 Special Tapered Thread Elbow with 1/4" Hex to 400 Series Barb, 1/16" (1.5 mm) ID Tubing
.XXXX ±	.001 ±		
DO NOT SCALE DRAWING			
DRAWN BY: <b>Frank Lombardi</b>	DATE: <b>09-12-05</b>	SIZE: <b>B</b>	SCALE: <b>NTS</b>
Engineer/Manager: <b>Rick Cairns</b>		DRAWING NUMBER: <b>1007482</b>	REV. <b>B</b>
© 2005 VALUE PLASTICS, INC.			SHEET: 1 OF 1

**FOR REFERENCE ONLY**