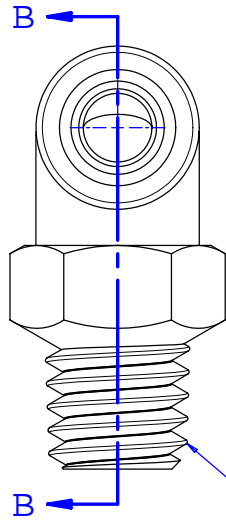


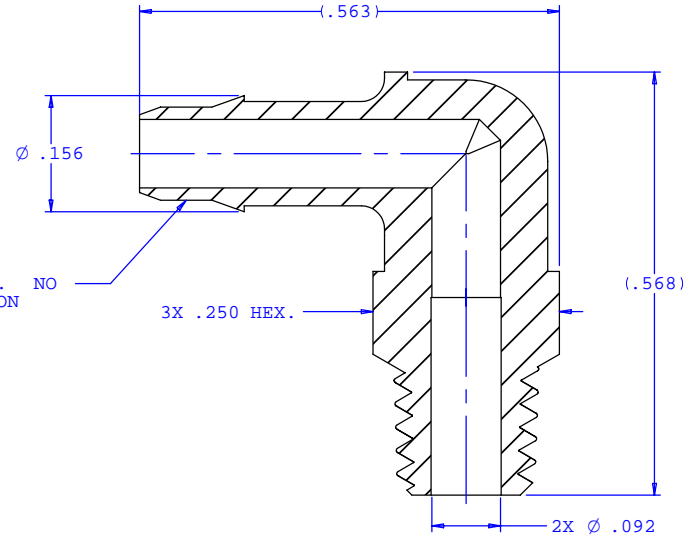
NOTE: FOR MORE DETAILS SEE YOUR V.P. CUSTOMER SERVICE REP.

REVISIONS			
REV.	DESCRIPTION	DATE	APPROVED
A	INITIAL RELEASE	08-19-98	
B	CO 015 Drafting Update	08-18-05	RICKC

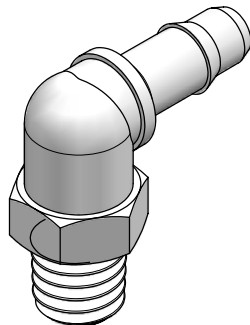


INSTRUMENT QUALITY PART.
PARTING LINE PERMITTED ON
THIS CONICAL SURFACE

10-32-UNF SPECIAL TAPER THREAD.
Ø.195 TAPER TO Ø.185



SECTION B-B



UNLESS OTHERWISE SPECIFIED DIMENSIONS ARE IN INCHES TOLERANCES ARE:		VALUE PLASTICS, INC.	
FRACTIONS ±	DECIMALS .XX ±.01 .XXX ±.005 .XXXX ±.001	ANGULAR ±1°	PART NUMBER: XL430
DO NOT SCALE DRAWING		DESCRIPTION: 10-32 UNF SPECIAL TAPERED THREAD TO 1/8 BARBED ELL	
DRAWN BY: Frank Lombardi	DATE: 06-16-05	SIZE: B SCALE: NTS	DRAWING NUMBER: 1006940 REV. B
Engineer/Manager: Rick Cairns		© 2005 VALUE PLASTICS, INC. SHEET: 1 OF 1	

FOR REFERENCE ONLY