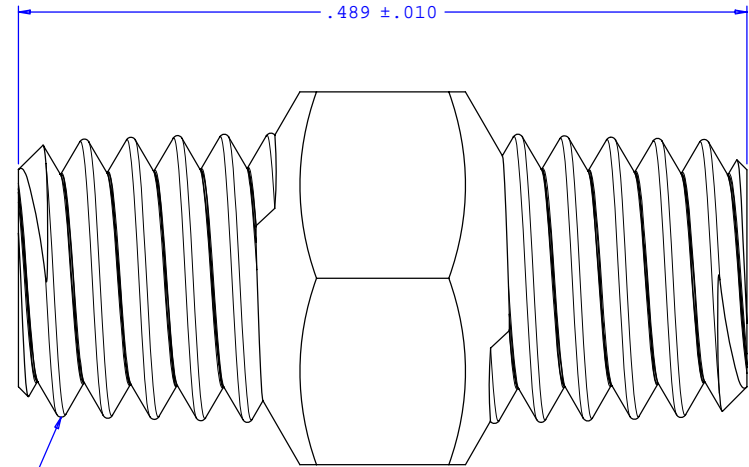
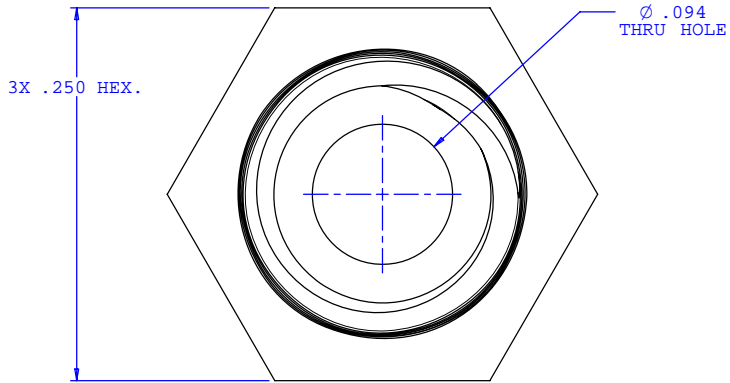
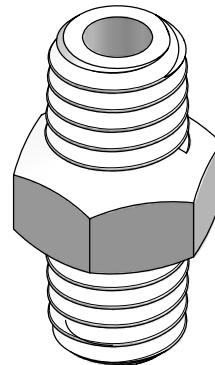


NOTE: FOR MORE DETAILS SEE YOUR V.P.CUSTOMER SERVICE REP.

REVISIONS			
REV.	DESCRIPTION	DATE	APPROVED
A	INITIAL RELEASE	05-20-98	
B	CO 031 Drafting Update	02-20-06	Rick C.



2X 10-32 TAPER THREAD
(Ø.195) TAPER TO (Ø.185)



UNLESS OTHERWISE SPECIFIED DIMENSIONS ARE IN INCHES TOLERANCES ARE:		VALUE PLASTICS, INC.	
FRACTIONS ±	DECIMALS .XX ±.01 .XXX ±.005 .XXXX ±.001	ANGULAR ±1°	PART NUMBER: XN
DO NOT SCALE DRAWING		DESCRIPTION: 10-32 Special Tapered Thread Coupler with 1/4" Hex	
DRAWN BY: Frank Lombardi	DATE: 10-03-05	SIZE: B	SCALE: NTS
ENGINEER/ MANAGER: Rick Cairns	DRAWING NUMBER: 1007690	REV. B	SHEET: 1 OF 1
© 2005 VALUE PLASTICS, INC.			

FOR REFERENCE ONLY