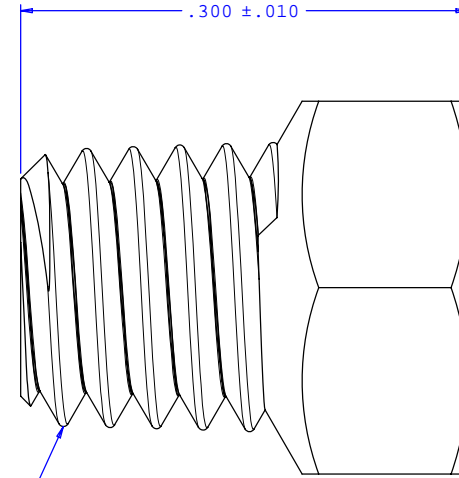
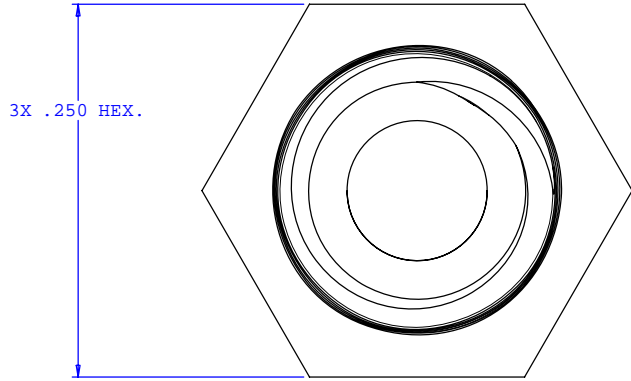
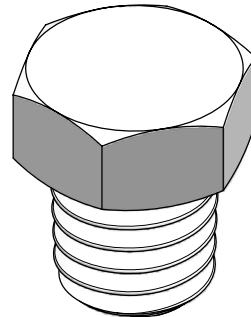


NOTE: FOR MORE DETAILS SEE YOUR V.P. CUSTOMER SERVICE REP.

REVISIONS			
REV.	DESCRIPTION	DATE	APPROVED
A	INITIAL RELEASE	05-20-98	
B	CO 031 Drafting Update	02-20-06	Rick C.



10-32 TAPER THREAD  
(Ø.195) TAPER TO (Ø.185)



UNLESS OTHERWISE SPECIFIED DIMENSIONS ARE IN INCHES TOLERANCES ARE:		<b>VALUE PLASTICS, INC.</b>	
FRACTIONS	DECIMALS	ANGULAR	PART NUMBER: <b>XP</b>
±	.XX ±.01	±1°	DESCRIPTION: 10-32 Special Tapered Thread Plug with 1/4" Hex
	.XXX ±.005		
	.XXXX ±.001		
DO NOT SCALE DRAWING			
DRAWN BY: <b>Frank Lombardi</b>	DATE: <b>10-03-05</b>	SIZE: <b>B</b>	SCALE: <b>NTS</b>
Engineer/Manager: <b>Rick Cairns</b>		DRAWING NUMBER: <b>1007689</b>	REV. <b>B</b>
© 2005 VALUE PLASTICS, INC.			SHEET: 1 OF 1

**FOR REFERENCE ONLY**