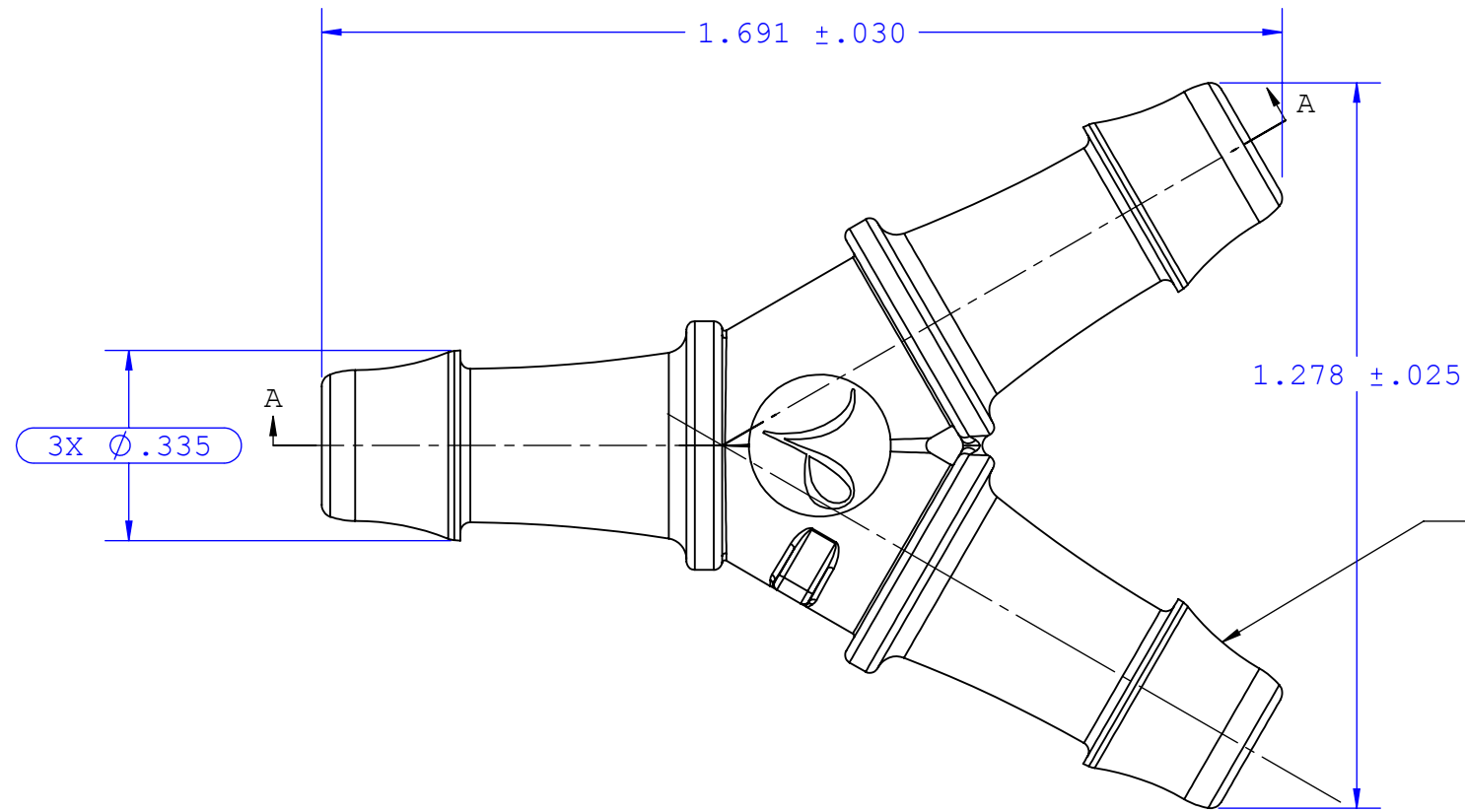
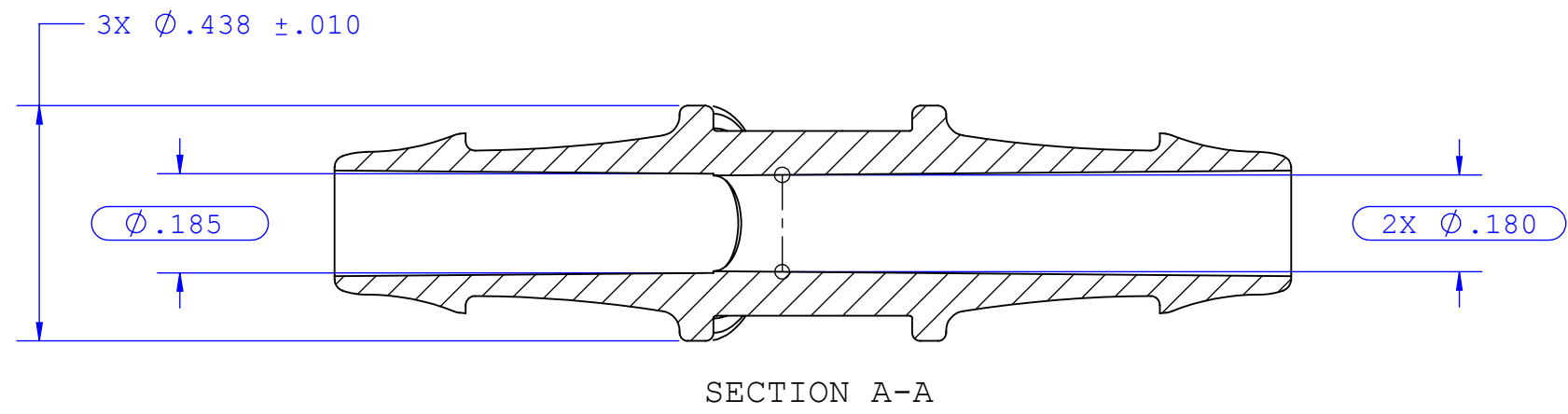
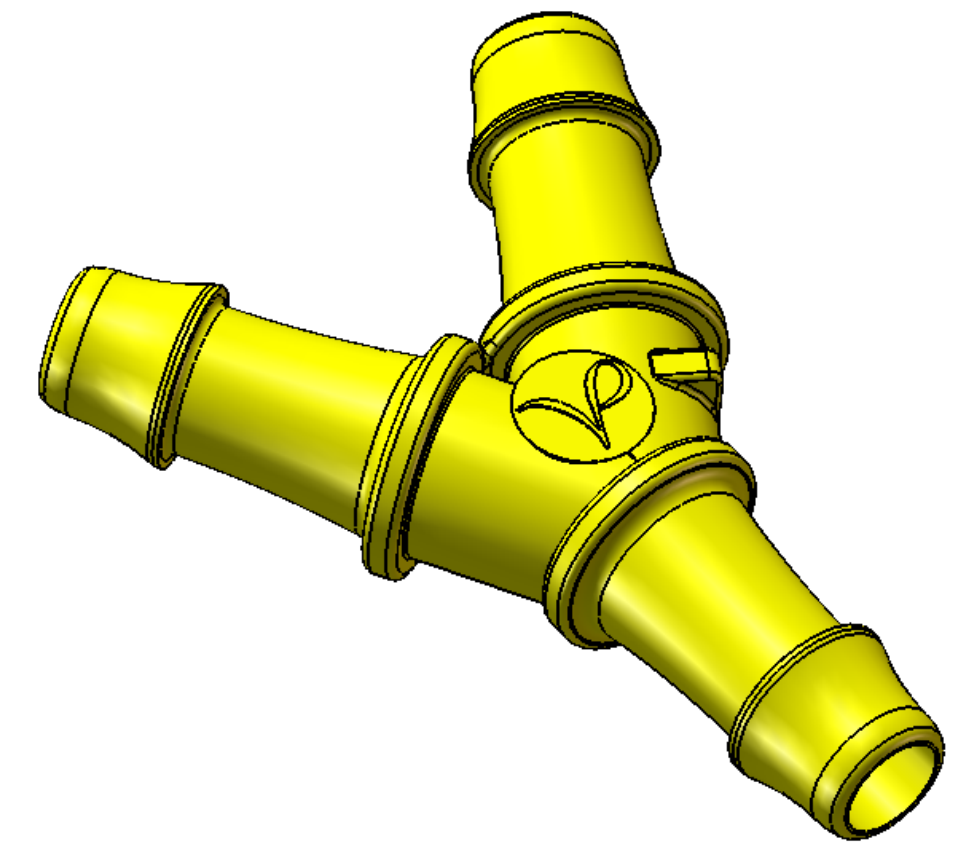


NOTES: FOR MORE DETAILED DRAWING SEE V.P.TOOLING STANDARDS
 DIMENSIONS MARKED $\text{\textcircled{\hspace{0.5em}}}$ OR $\text{\textcircled{\hspace{0.5em}}}$ ARE CONTROL DIMENSIONS

REVISIONS			
REV.	DESCRIPTION	DATE	APPROVED
A	INITIAL RELEASE	7/30/08	S.N.R



3X INSTRUMENT QUALITY PART. NO PARTING LINE PERMITTED ON THIS CONICAL SURFACE.



UNLESS OTHERWISE SPECIFIED DIMENSIONS ARE IN INCHES TOLERANCES ARE:		VALUE PLASTICS, INC			
FRACTIONS DECIMAL ANGULAR ± .XX ±.01 ± 1° .XXX ±.005 .XXXX ±.001		PART NUMBER: Y055			
DO NOT SCALE DRAWING		DESCRIPTION: Y Connector with 500 Series Barbs, 1/4" (6.4 mm) ID Tubing			
DRAWN BY: Pete L.	DATE: 7/30/2008	SIZE: B	SCALE: NTS	VER: 	DWG. NO. REV 1013065 A
NEW PRODUCT DEVELOPMENT MGR: R. Narayanan		© 2008 VALUE PLASTICS, INC			SHEET: 1 OF 1

FOR REFERENCE ONLY