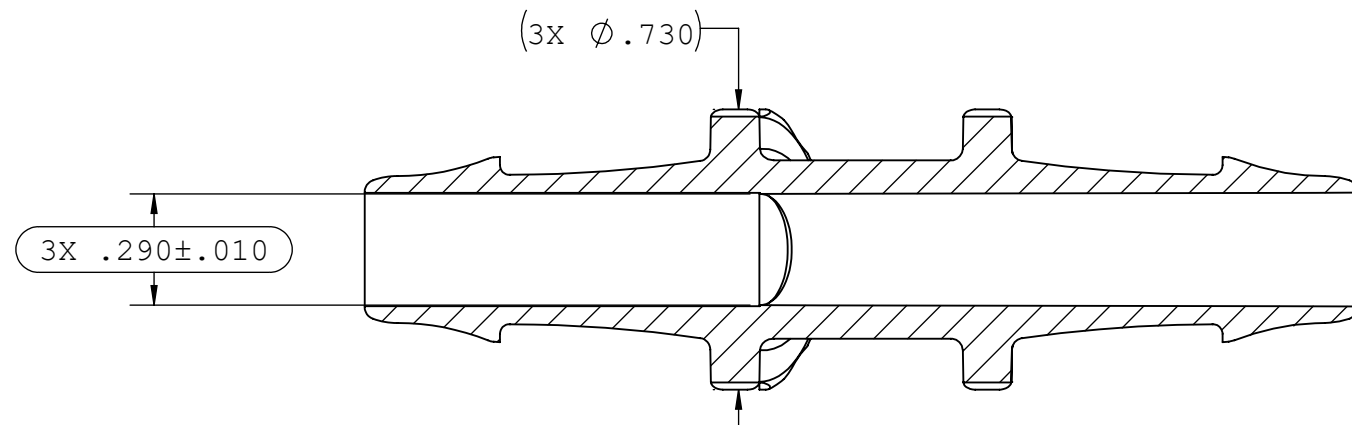
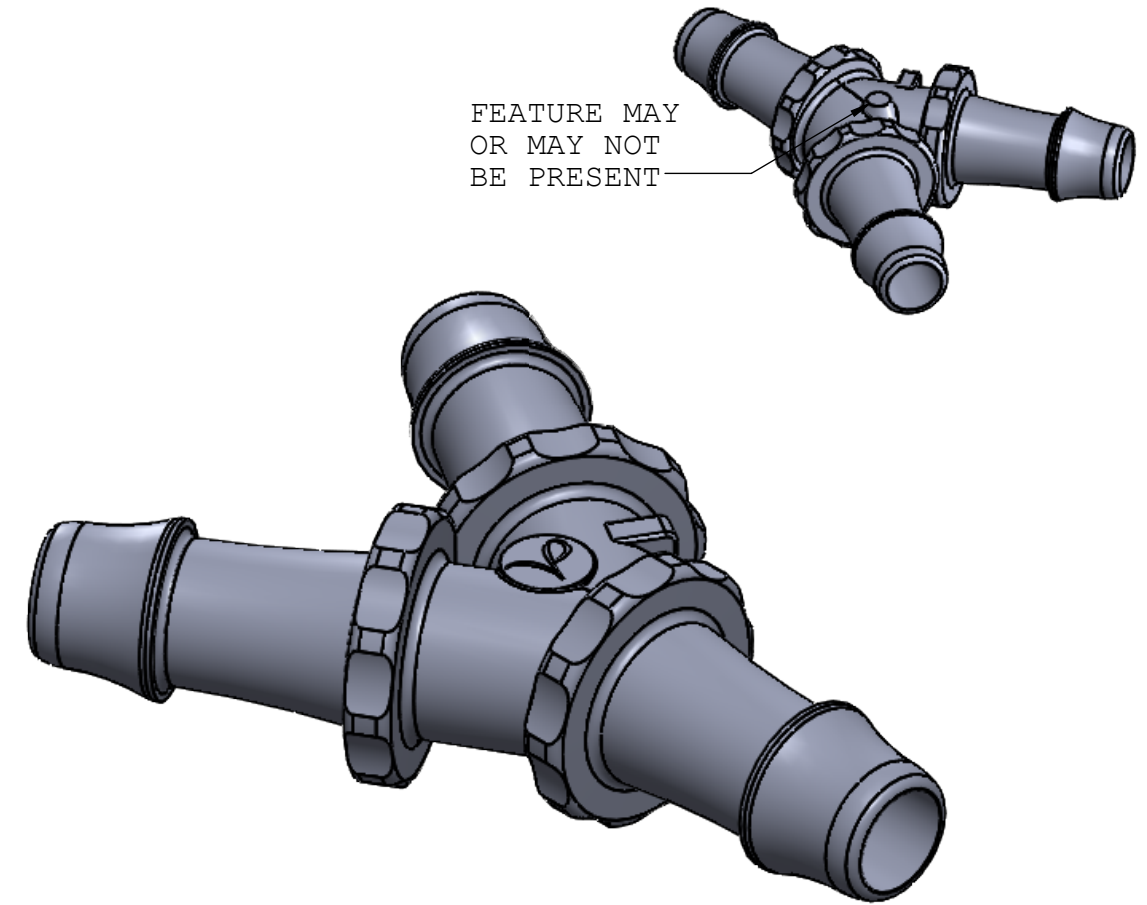
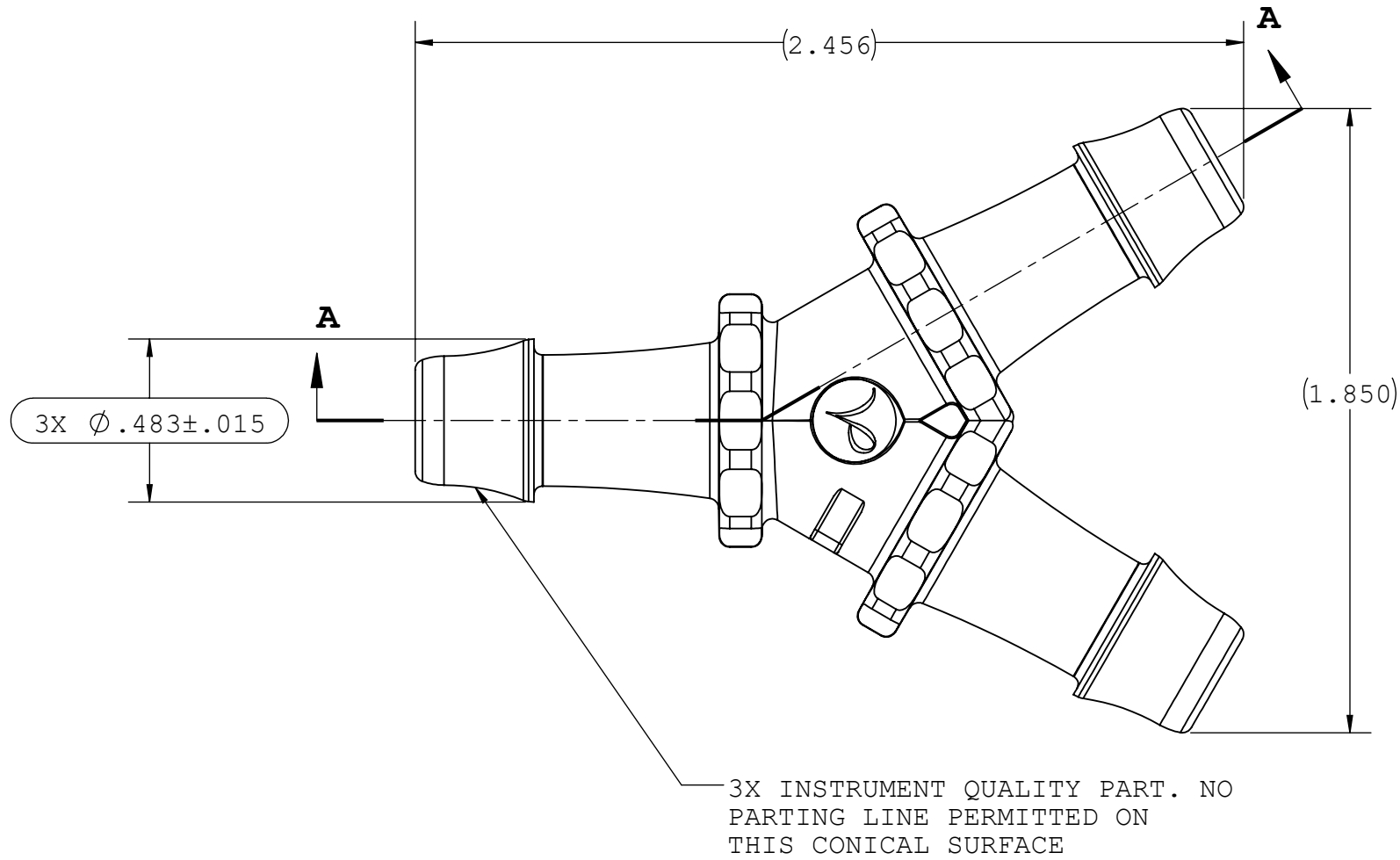


NOTES: FOR ADDITIONAL DETAILS, PLEASE CONTACT VP CUSTOMER SERVICE
 DIMENSIONS MARKED $\text{\textcircled{\hspace{1em}}}$ ARE CONTROL DIMENSIONS

REVISIONS			
REV.	DESCRIPTION	DATE	APPROVED
A	INITIAL RELEASE	02-11-03	
B	CO 046 DRAFTING UPDATE	08-22-06	RICK C.
C	ECO 344	03-16-17	FJL
D	ECO 401	09-12-19	FJL



SECTION A-A

UNLESS OTHERWISE SPECIFIED DIMENSIONS ARE IN INCHES TOLERANCES ARE:		VALUE PLASTICS, INC			
FRACTIONS	DECIMAL				
\pm	.XX $\pm .01$	$\pm 1^\circ$	DESCRIPTION:	Y CONNECTOR WITH 500 SERIES BARBS, 3/8" (9.5 mm) ID TUBING	
	.XXX $\pm .005$		SIZE:	B	
	.XXXX $\pm .001$		SCALE:	NTS	
DO NOT SCALE DRAWING		VER:	DWG. NO.	1008943	
DRAWN BY:	DATE:	MANAGER:	REV:	D	
BRYCE HIRSCHFELD	9/12/2019	LOU HUADONG	© 2014 VALUE PLASTICS, INC		
			SHEET:	1 OF 1	

FOR REFERENCE ONLY