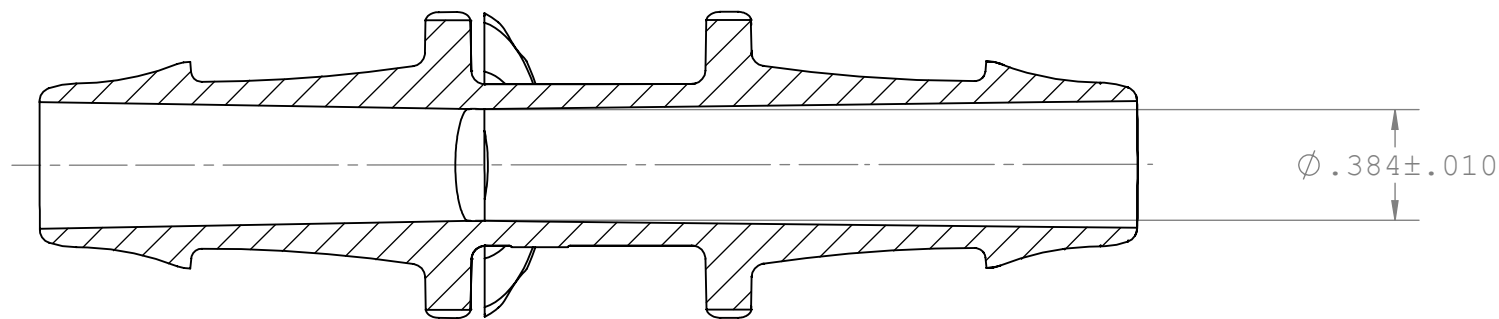
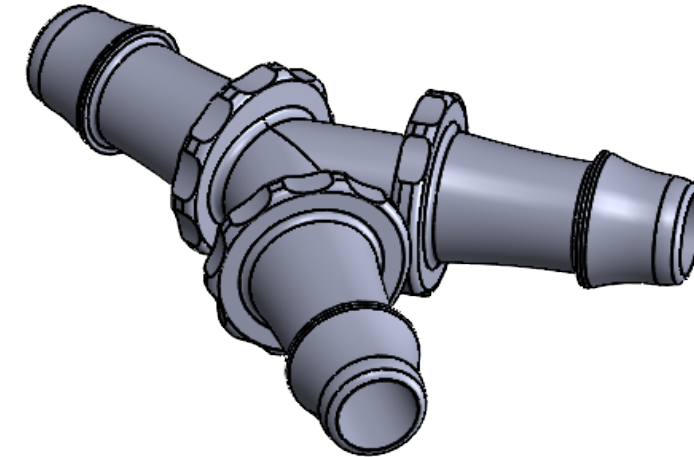
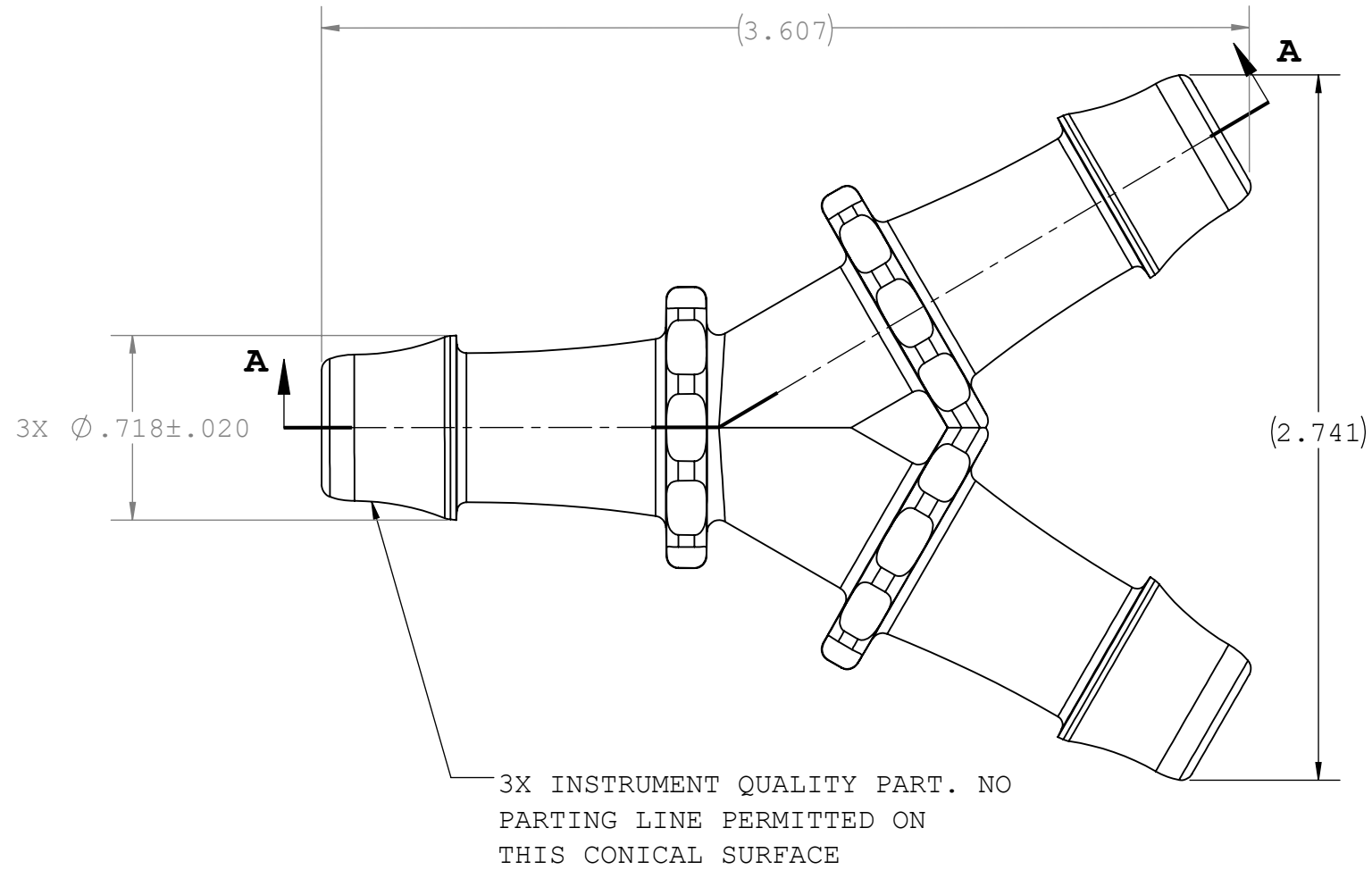


NOTES: FOR ADDITIONAL DETAILS, PLEASE CONTACT VP CUSTOMER SERVICE
 DIMENSIONS MARKED \square ARE CONTROL DIMENSIONS

REVISIONS			
REV.	DESCRIPTION	DATE	APPROVED
A	INITIAL RELEASE	03-14-03	
B	CO 039 Drafting Update	04-12-06	Rick C.
C	ECO-133703	03-01-22	FJL



SECTION A-A

UNLESS OTHERWISE SPECIFIED DIMENSIONS ARE IN INCHES TOLERANCES ARE:		VALUE PLASTICS, INC			
FRACTIONS DECIMAL ANGULAR \pm .XX \pm .01 \pm 1° .XXX \pm .005 .XXXX \pm .001 DO NOT SCALE DRAWING		PART NUMBER: Y090			
		DESCRIPTION: Y Connector with 500 Series Barbs, 5/8" (16 mm) ID Tubing			
DRAWN BY: Frank Lombardi	DATE: 4/1/2022	SIZE: B	SCALE: NTS	VER: 	DWG. NO. REV 1008276 C
MANAGER: Rick Cairns		© 2014 VALUE PLASTICS, INC			SHEET: 1 OF 1

FOR REFERENCE ONLY