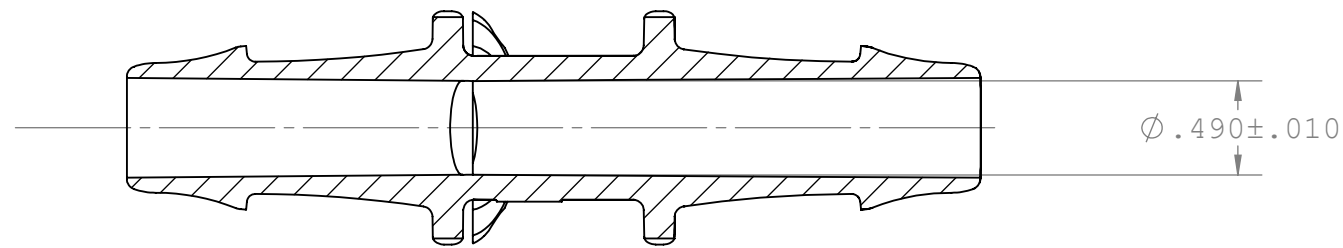
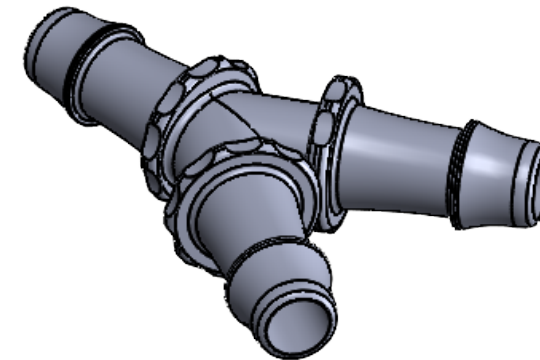
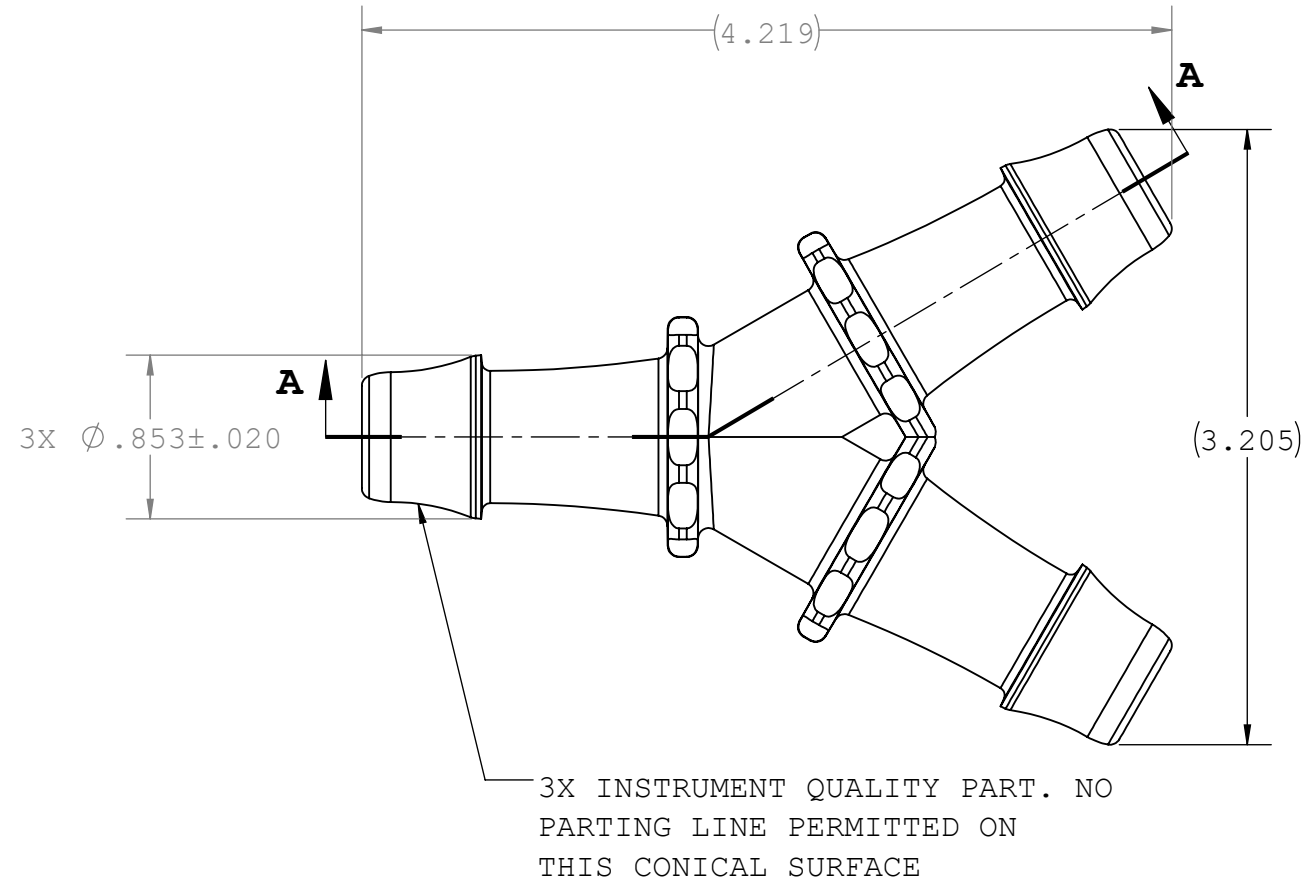


NOTES: FOR ADDITIONAL DETAILS, PLEASE CONTACT VP CUSTOMER SERVICE
 DIMENSIONS MARKED  ARE CONTROL DIMENSIONS

REVISIONS			
REV.	DESCRIPTION	DATE	APPROVED
A	INITIAL RELEASE	02-07-03	
B	CO 046 Drafting Update	08-22-06	Rick C.
C	ECO-1335703	03-01-22	FJL



SECTION A-A

UNLESS OTHERWISE SPECIFIED DIMENSIONS ARE IN INCHES TOLERANCES ARE:		VALUE PLASTICS, INC			
FRACTIONS DECIMAL ANGULAR ± .XX ±.01 ± 1° .XXX ±.005 .XXXX ±.001		PART NUMBER: Y100			
DO NOT SCALE DRAWING		DESCRIPTION: Y Connector with 500 Series Barbs, 3/4" (19 mm) ID Tubing			
DRAWN BY: Frank Lombardi	DATE: 4/1/2022	SIZE: B	SCALE: NTS	VER: 1008944	DWG. NO. 1008944
MANAGER: Rick Cairns		© 2014 VALUE PLASTICS, INC			REV: C
				SHEET: 1 OF 1	

FOR REFERENCE ONLY