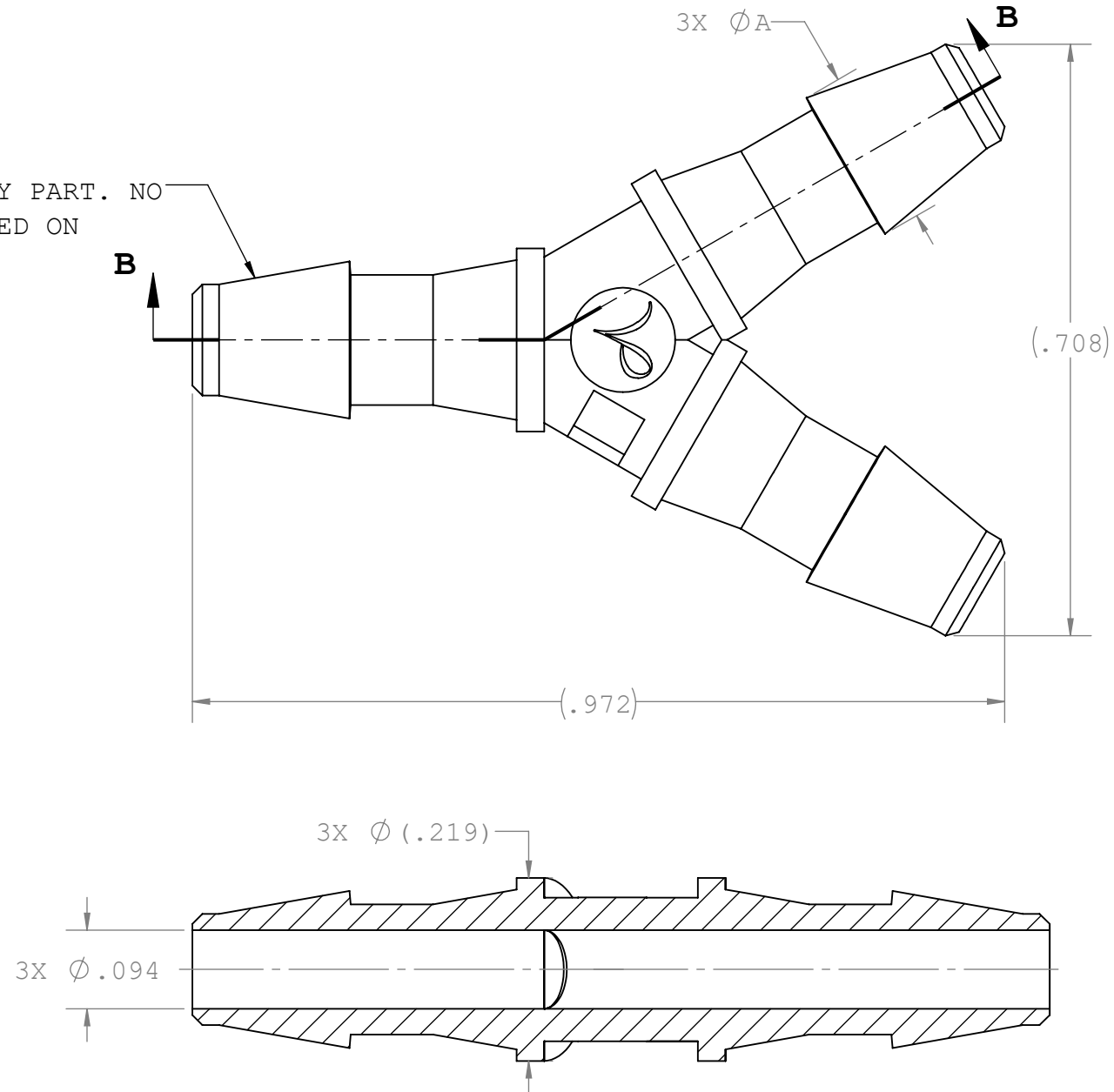


NOTES: FOR ADDITIONAL DETAILS, PLEASE CONTACT VP CUSTOMER SERVICE  
 DIMENSIONS MARKED  $\square$  ARE CONTROL DIMENSIONS

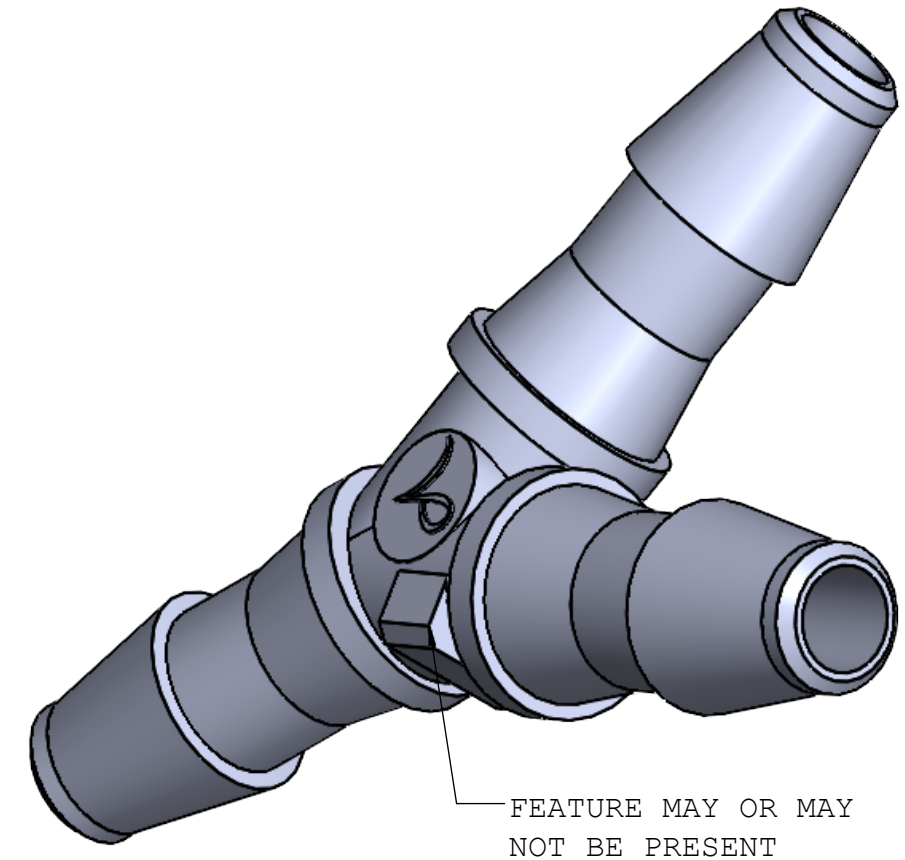
3X INSTRUMENT QUALITY PART. NO PARTING LINE PERMITTED ON THIS CONICAL SURFACE



SECTION B-B

Dimension	Material Specific Tolerances							
	Acetal	Nylon	PP	ABS	PC	PVC	Polysulfone	J1A
A	0.188	0.184	0.184	0.188	0.188	0.188	0.188	0.181
B								
C								
D								
E								
F								

REV.	DESCRIPTION	DATE	APPROVED
A	INITIAL RELEASE	12-27-02	
B	CO 013 Drafting Update	05-02-05	Rick C.
C	ECO 065-Changed Nylon and PP Nomical to 0.184"	10-30-07	Rick C.
D	ECO 1407939	01-09-23	FJL



UNLESS OTHERWISE SPECIFIED DIMENSIONS ARE IN INCHES TOLERANCES ARE: <small>FRACTIONS .XX ± .01 ANGULAR ± 1°          .XXX ± .005          .XXXX ± .001</small> DO NOT SCALE DRAWING		<b>VALUE PLASTICS, INC</b>			
DRAWN BY: <b>Frank Lombardi</b>		DATE: 4-18-05		PART NUMBER: Y230	
MANAGER: Rick Cairns		SIZE: <b>B</b>	SCALE: NTS	VER: 1005493	REV: D
© 2014 VALUE PLASTICS, INC				SHEET: 1 OF 1	

**FOR REFERENCE ONLY**