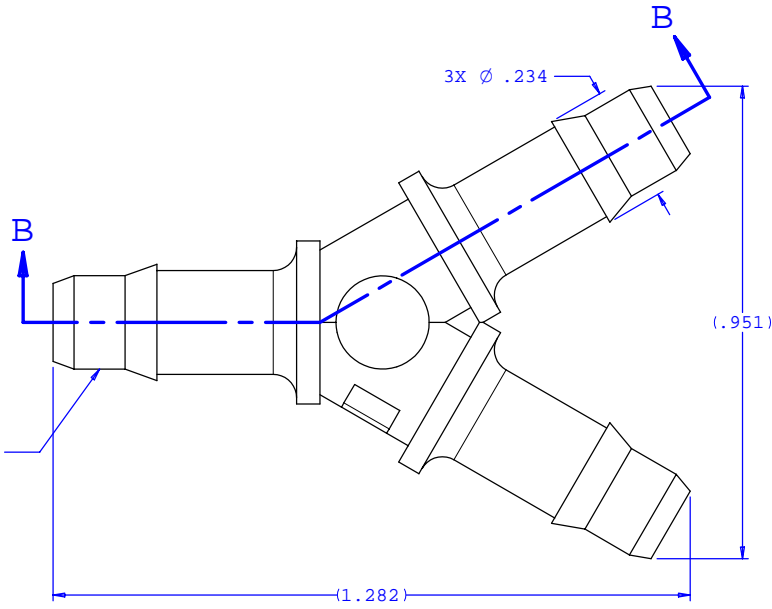
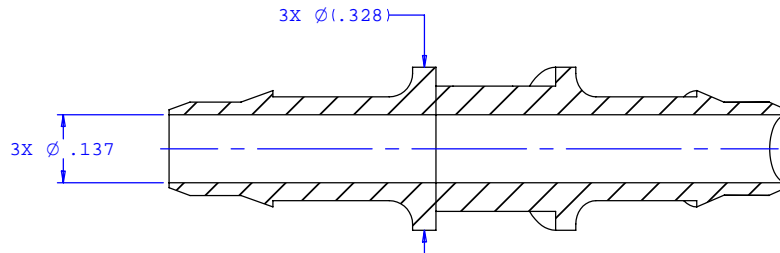
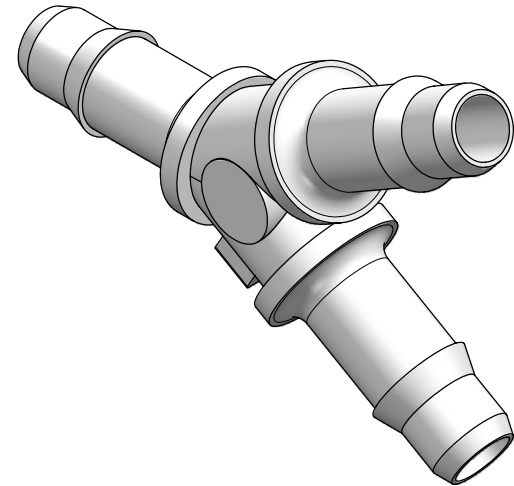


NOTE: FOR MORE DETAILS SEE YOUR V.P. CUSTOMER SERVICE REP.

REVISIONS			
REV.	DESCRIPTION	DATE	APPROVED
A	INITIAL RELEASE	07-24-97	
B	CO 018 Drafting Update	08-18-05	RICKC



3X INSTRUMENT QUALITY PART. NO PARTING LINE PERMITTED ON THIS CONICAL SURFACE



SECTION B-B

UNLESS OTHERWISE SPECIFIED DIMENSIONS ARE IN INCHES TOLERANCES ARE:		VALUE PLASTICS, INC.	
FRACTIONS ±	DECIMALS ±	ANGULAR ±1°	PART NUMBER: Y450
.XX	.01		DESCRIPTION: Y Connector with 400 Series Barbs, 3/16" (4.75 mm) ID Tubing
.XXX	.005		
.XXXX	.001		
DO NOT SCALE DRAWING			
DRAWN BY: Frank Lombardi	DATE: 06-16-05	SIZE: B	SCALE: NTS
ENGINEER/MANAGER: Rick Cairns		DRAWING NUMBER: 1006932	REV. B
© 2005 VALUE PLASTICS, INC.			SHEET: 1 OF 1

FOR REFERENCE ONLY