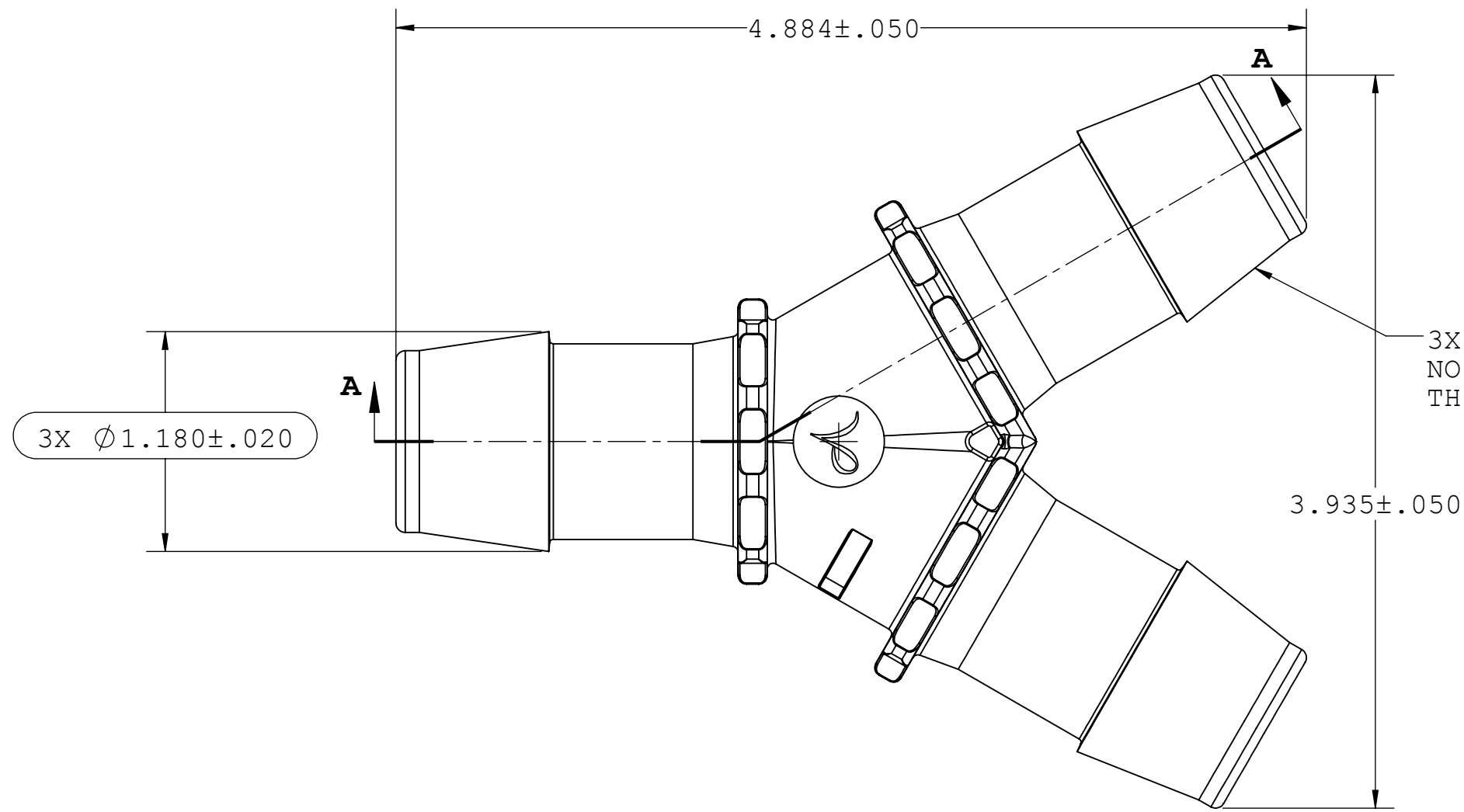
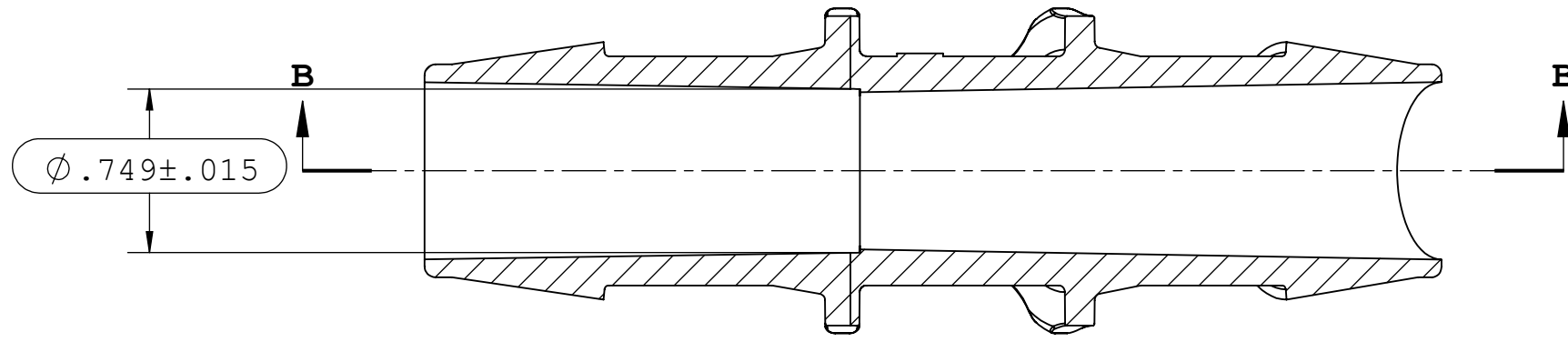
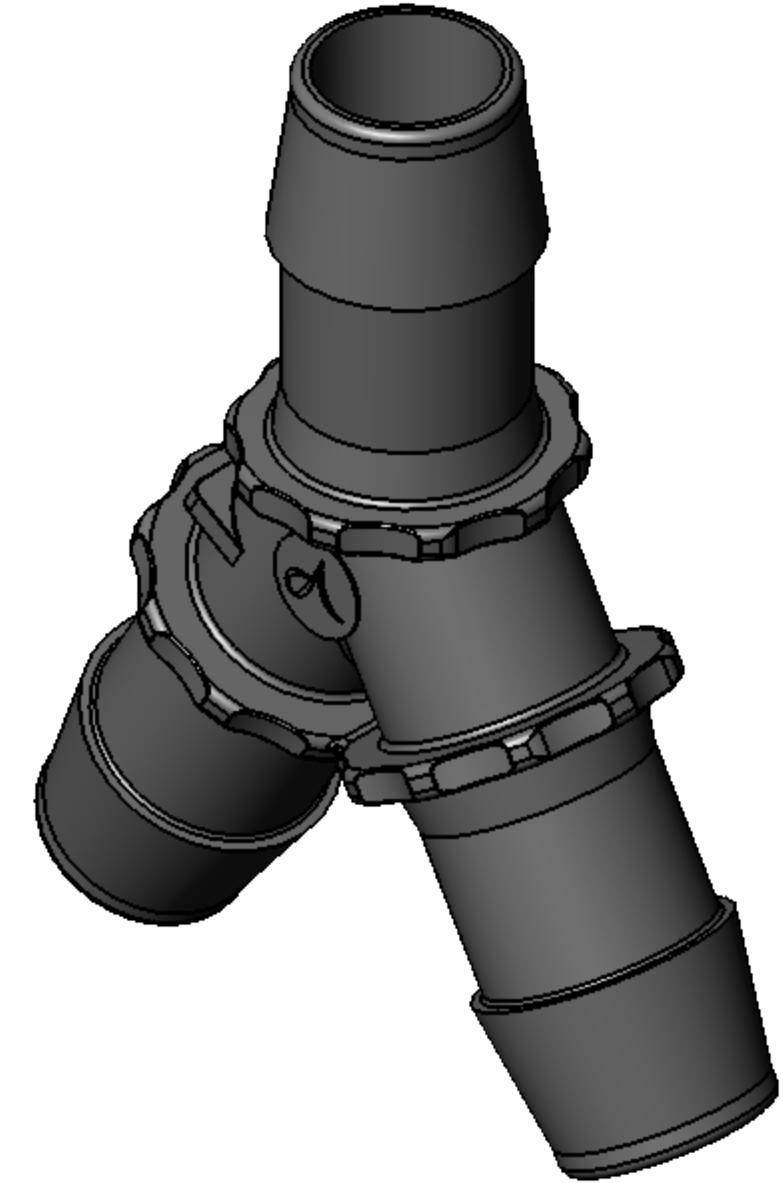


NOTES: FOR ADDITIONAL DETAILS, PLEASE CONTACT VP NEW CUSTOMER SERVICE
 DIMENSIONS MARKED ARE CONTROL DIMENSIONS

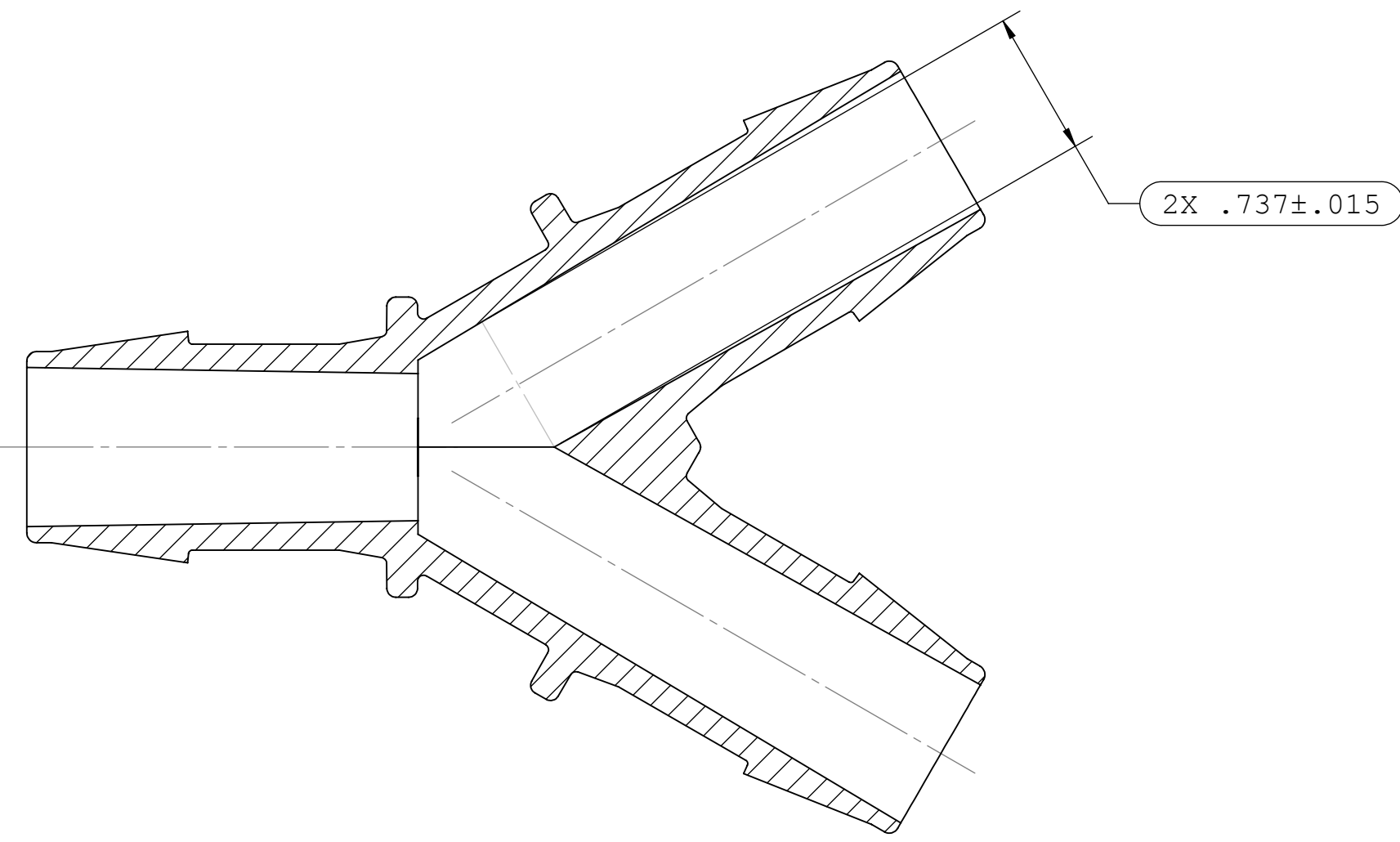
| REVISIONS | | | |
|-----------|------------------------|----------|----------|
| REV. | DESCRIPTION | DATE | APPROVED |
| A | RELEASE FOR PRODUCTION | 9/9/14 | H.L |
| B | ECO 366 | 08-28-17 | FJL |



3X INSTRUMENT QUALITY PART.
 NO PARTING LINE PERMITTED ON
 THIS CONICAL SURFACE.



SECTION A-A



SECTION B-B

| | | | |
|---|---|--|------------------------|
| UNLESS OTHERWISE SPECIFIED DIMENSIONS ARE IN INCHES TOLERANCES ARE: | | VALUE PLASTICS, INC | |
| FRACTIONS 1 | DECIMALS .XX ±.01 .XXX ±.005 .XXXX ±.001 | ANGULAR ±° | PART NUMBER: Y6110 |
| DO NOT SCALE DRAWING | | DESCRIPTION: Y Connector with 600 Series Barbs, 1" (25.4mm) ID Tubing | |
| DRAWN BY: Jonthan Mayer | DATE: 9/1/2017 | SIZE: C | SCALE: NTS |
| ENG MGR: Ravi Narayanan | | DRAWING NUMBER: 1030176 | REV B |
| | | © 2014 VALUE PLASTICS, INC | SHEET: SHEET 1 OF 1 |

FOR REFERENCE ONLY