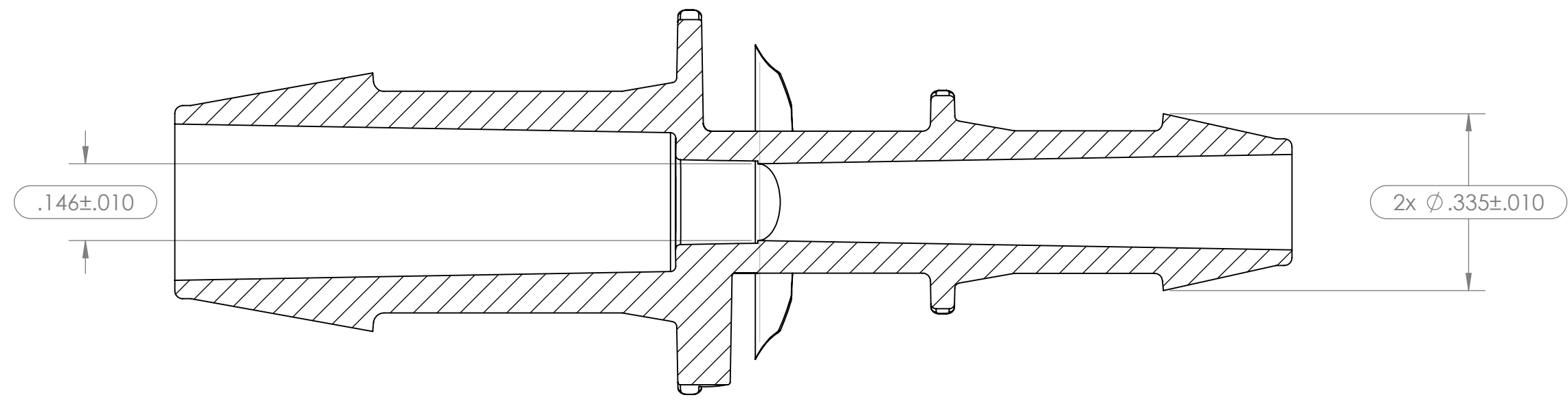
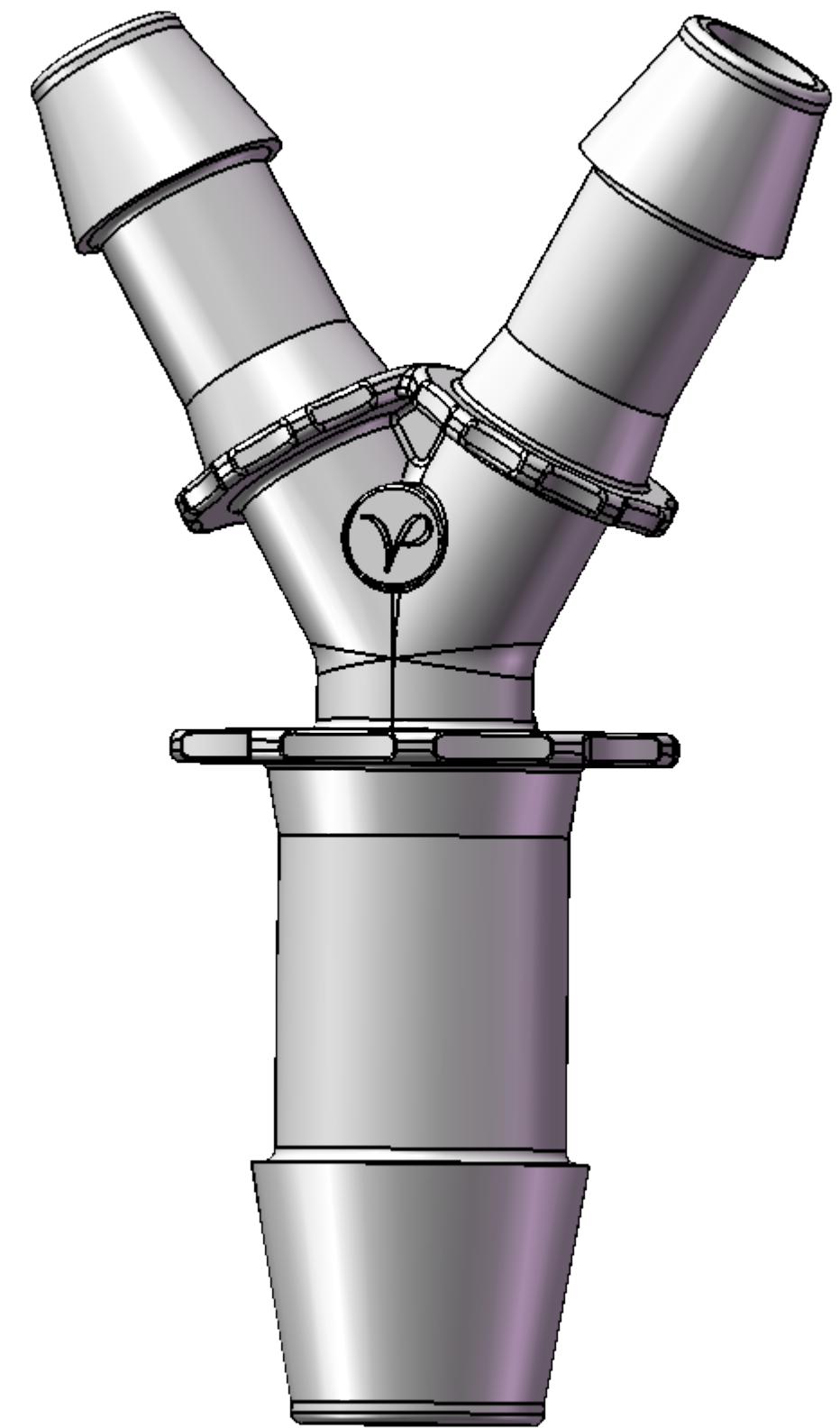
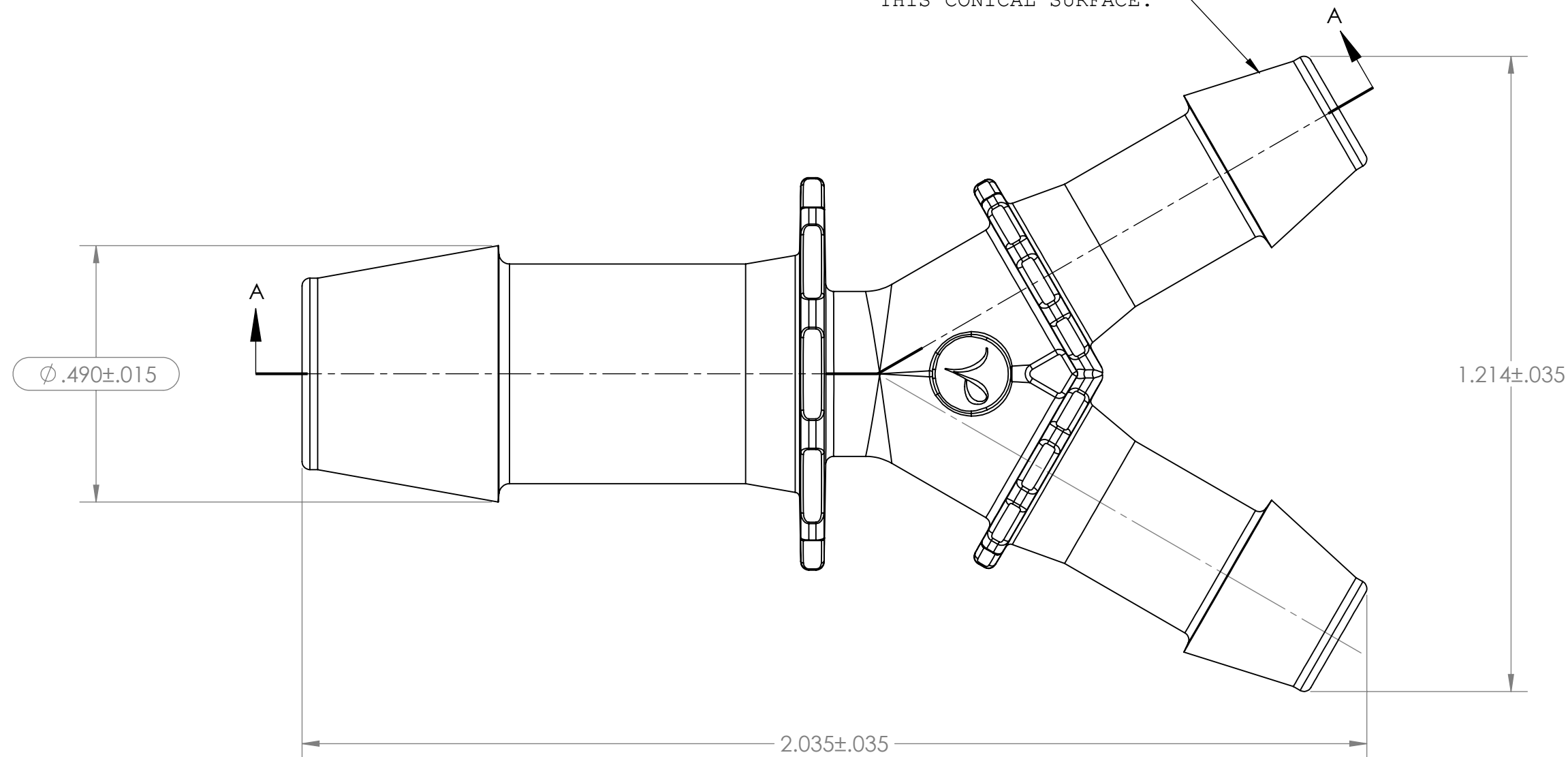


NOTES: FOR ADDITIONAL DETAILS, PLEASE CONTACT VP CUSTOMER SERVICE
 DIMENSIONS MARKED ARE CONTROL DIMENSIONS

REVISIONS			
REV.	DESCRIPTION	DATE	APPROVED
A	INITIAL RELEASE	03-08-17	FJL

3X INSTRUMENT QUALITY PART.
 NO PARTING LINE PERMITTED ON
 THIS CONICAL SURFACE.



SECTION A-A

UNLESS OTHERWISE SPECIFIED DIMENSIONS ARE IN INCHES TOLERANCES ARE:		VALUE PLASTICS, INC			
FRACTIONS 1/2	DECIMALS .XX ±.01 .XXX ±.005 .XXXX ±.001				
DO NOT SCALE DRAWING		SIZE: C	SCALE: NTS	DRAWING NUMBER: 1041814	REV A
DRAWN BY: T. Whitaker	DATE: 3/22/2017	© 2014 VALUE PLASTICS, INC		SHEET: SHEET 1 of 1	
ENG MGR: L. Huadong	DATE: 3/22/2017				

FOR REFERENCE ONLY