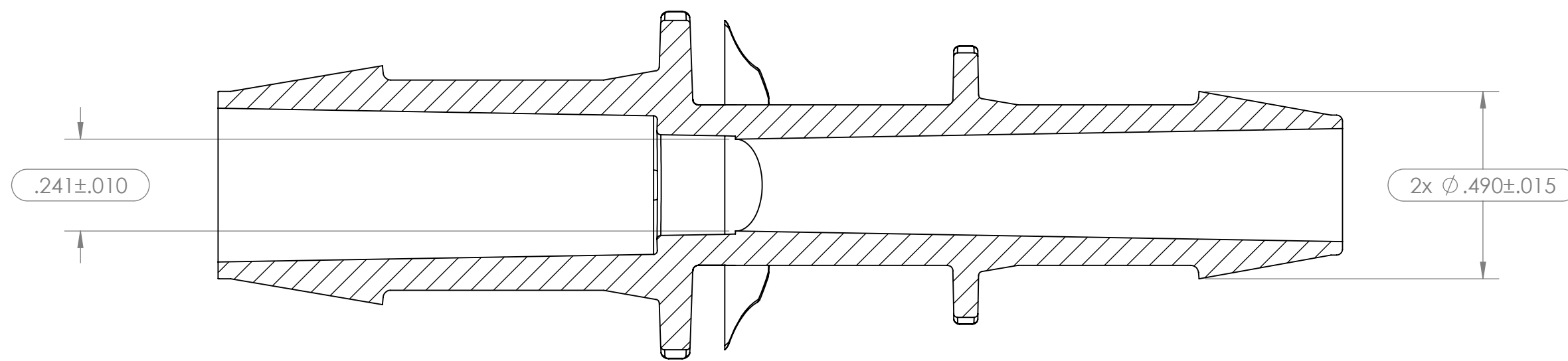
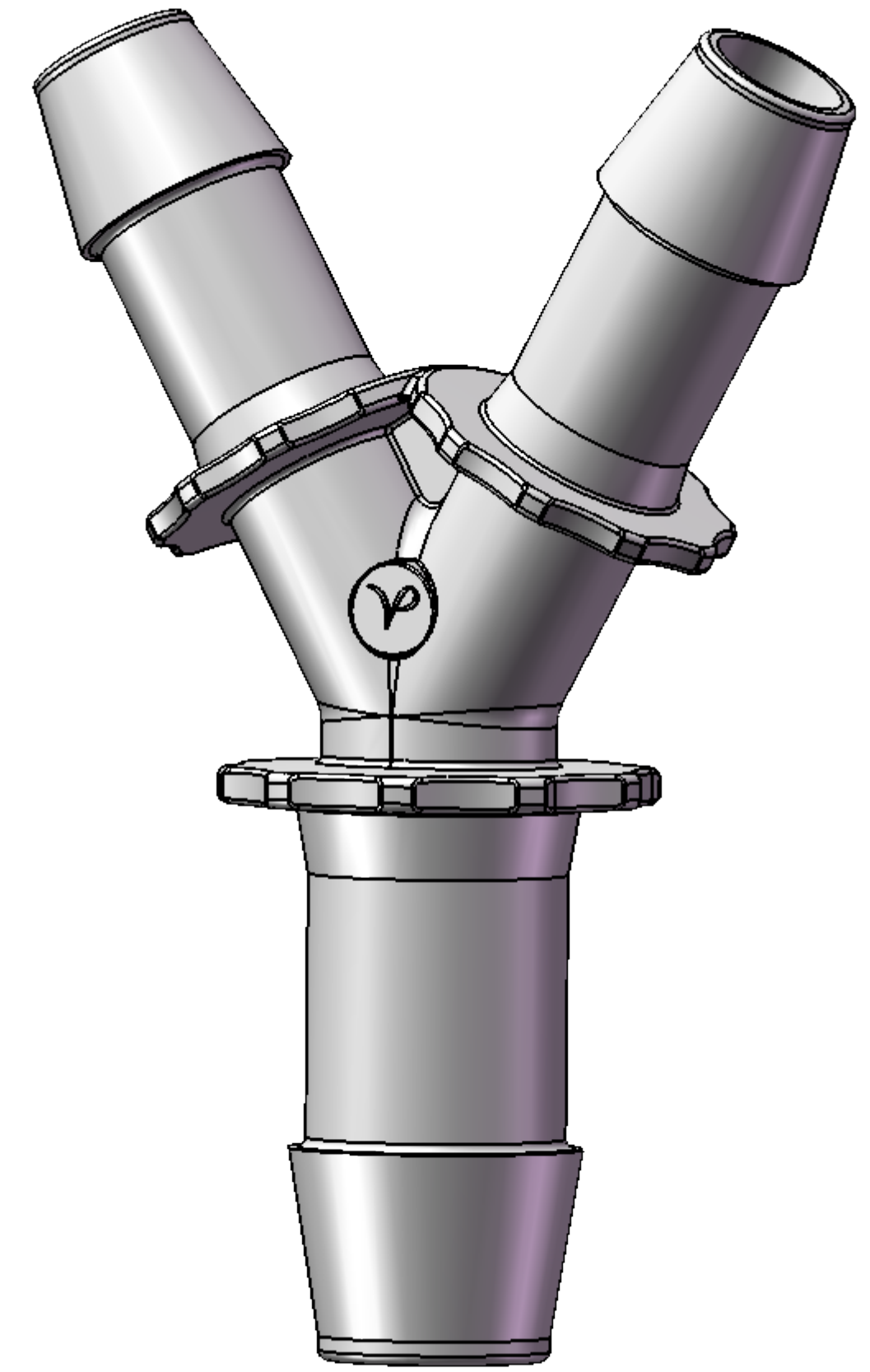
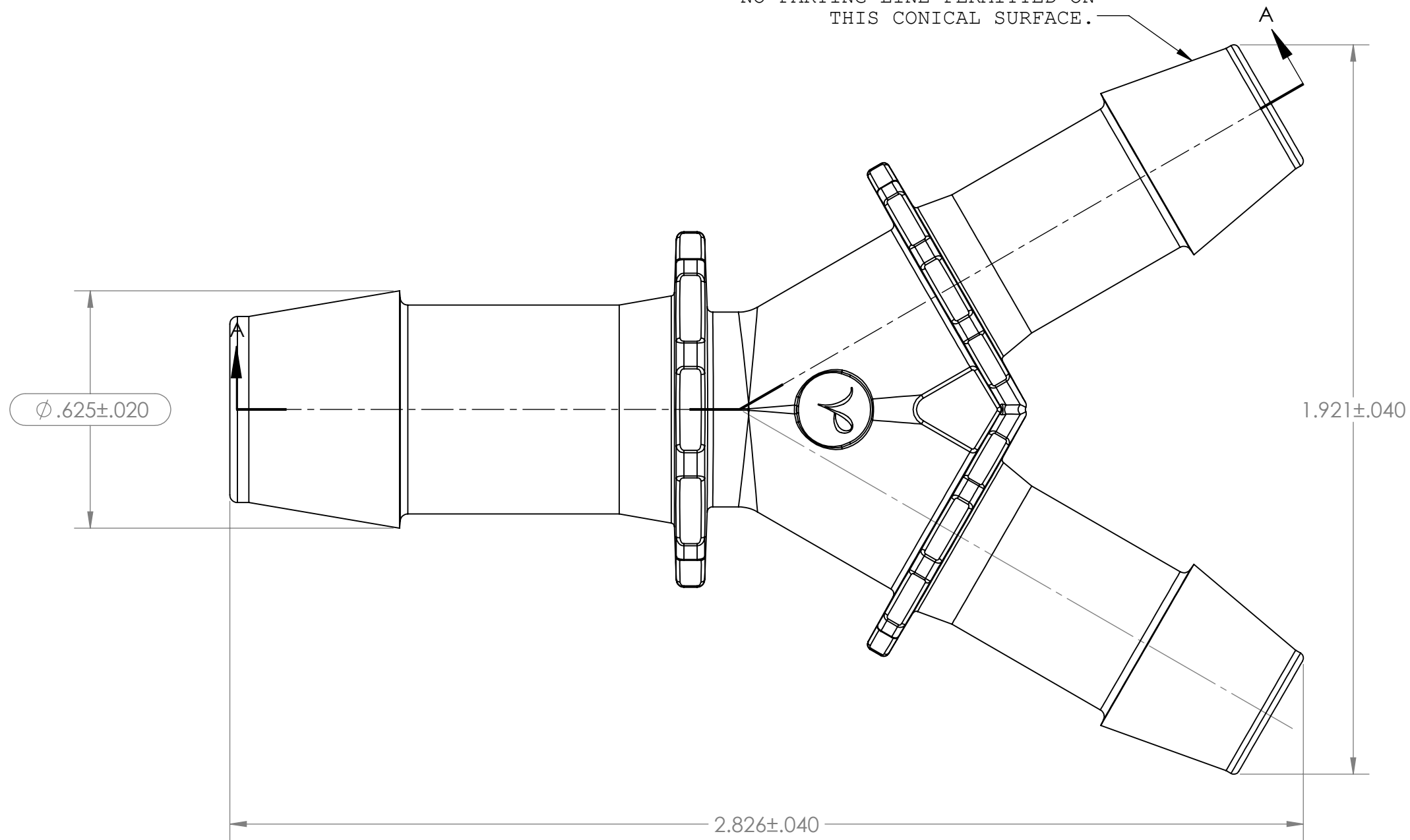


NOTES: FOR ADDITIONAL DETAILS, PLEASE CONTACT VP CUSTOMER SERVICE
 DIMENSIONS MARKED ARE CONTROL DIMENSIONS

REVISIONS			
REV.	DESCRIPTION	DATE	APPROVED
A	INITIAL RELEASE	03-08-17	FJL
B	ECO-360	05-18-17	FJL

3X INSTRUMENT QUALITY PART.
 NO PARTING LINE PERMITTED ON
 THIS CONICAL SURFACE.



SECTION A-A

UNLESS OTHERWISE SPECIFIED DIMENSIONS ARE IN INCHES TOLERANCES ARE:		VALUE PLASTICS, INC	
FRACTIONS 1	DECIMALS .XX ±.01 .XXX ±.005 .XXXX ±.001	ANGULAR ±1°	PART NUMBER: Y670_680
DO NOT SCALE DRAWING		DESCRIPTION: Y Connector Reducer with 600 Series Barb. 1/2" (12.7mm) to 3/8" (9.5mm) ID Tubing	
DRAWN BY: T. Whitaker	DATE: 5/23/2017	SIZE: C	SCALE: NTS
ENG MGR: L. Huadong	DATE: 5/23/2017	DRAWING NUMBER: 1041815	
		REV B	
		© 2014 VALUE PLASTICS, INC	
		SHEET: SHEET 1 of 1	

FOR REFERENCE ONLY