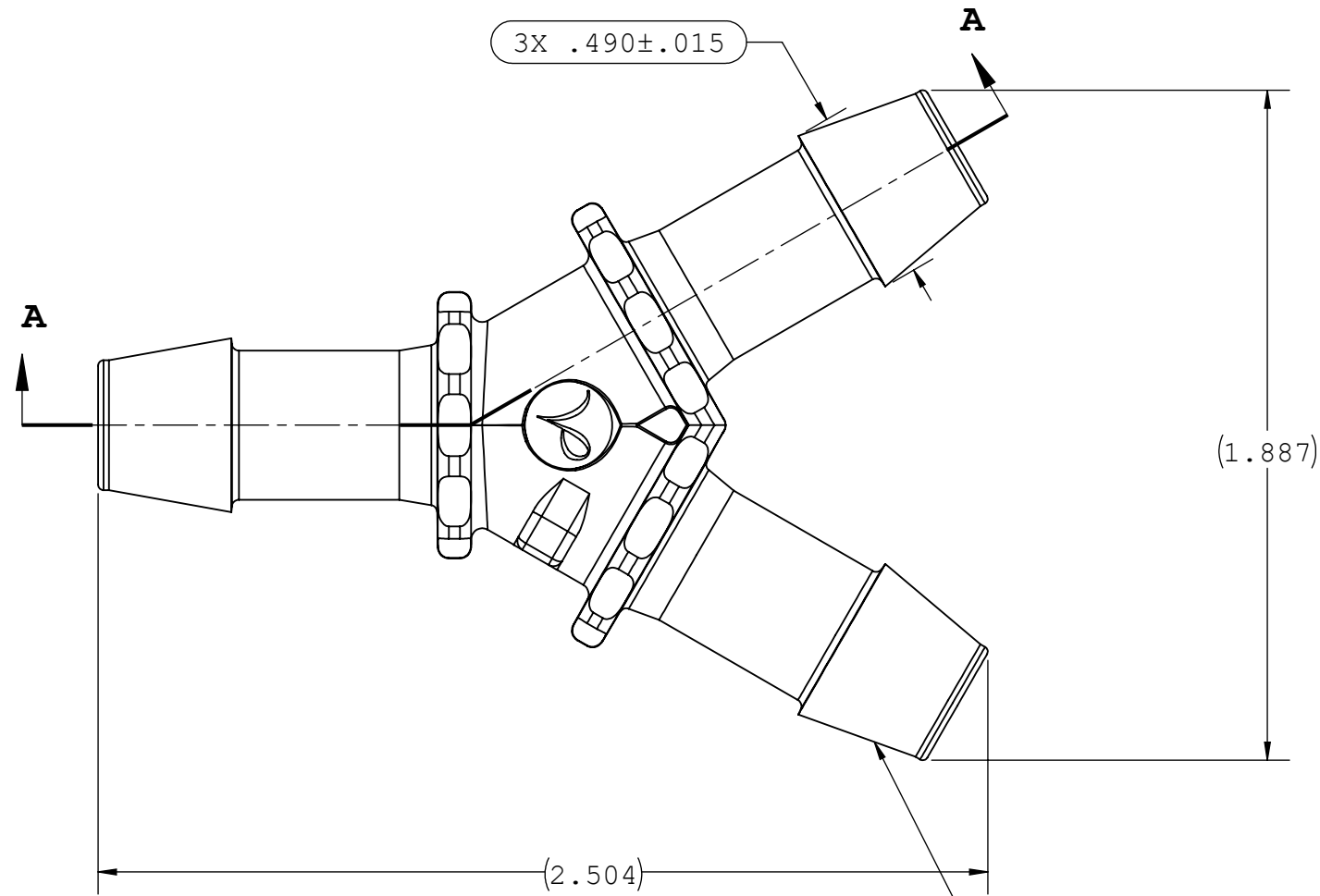
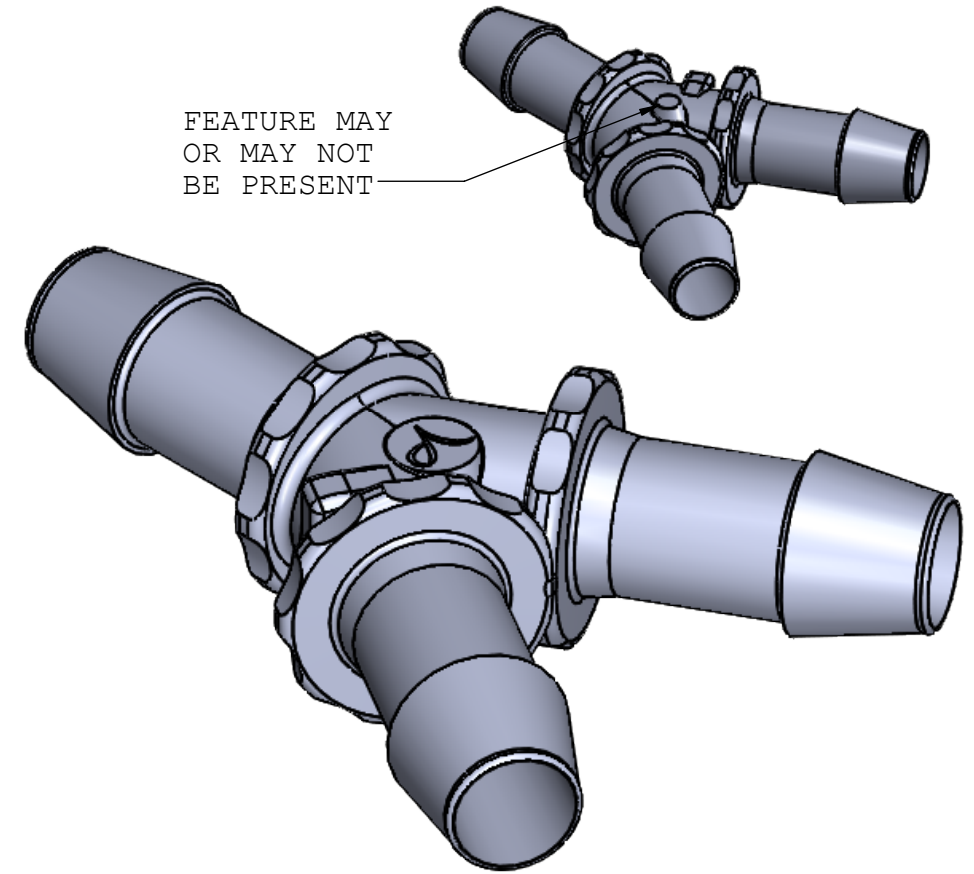


NOTES: FOR ADDITIONAL DETAILS, PLEASE CONTACT VP CUSTOMER SERVICE
 DIMENSIONS MARKED  ARE CONTROL DIMENSIONS

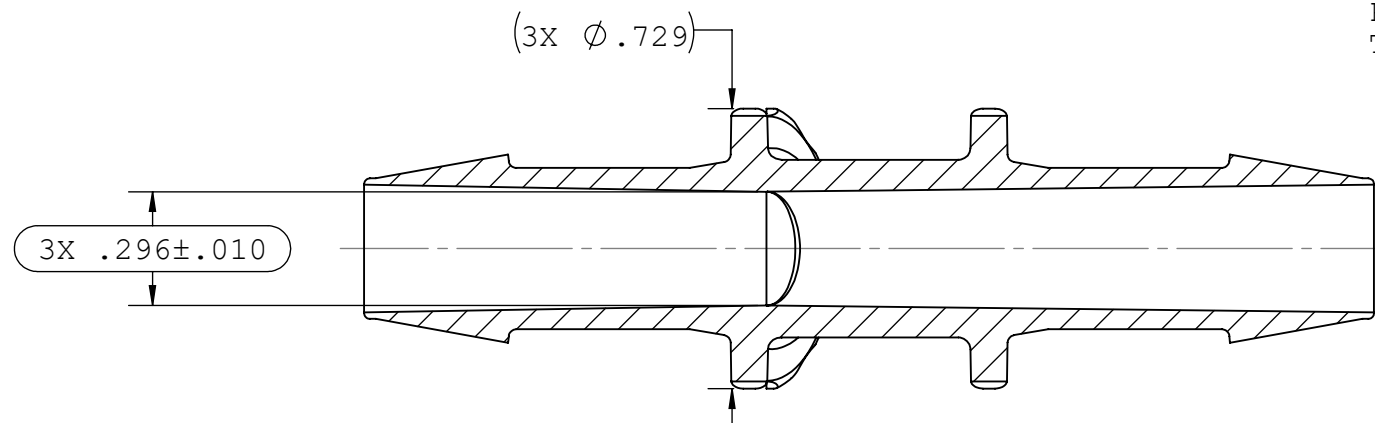
REVISIONS			
REV.	DESCRIPTION	DATE	APPROVED
A	INITIAL RELEASE	04-22-05	RICK C.
B	ECO 401	09-12-19	FJL



FEATURE MAY
 OR MAY NOT
 BE PRESENT



3X INSTRUMENT QUALITY PART. NO
 PARTING LINE PERMITTED ON
 THIS CONICAL SURFACE



SECTION A-A

UNLESS OTHERWISE SPECIFIED DIMENSIONS ARE IN INCHES TOLERANCES ARE:		VALUE PLASTICS, INC			
FRACTIONS DECIMAL ANGULAR ± .XX ±.01 ± 1° .XXX ±.005 .XXXX ±.001		PART NUMBER: Y670			
DO NOT SCALE DRAWING		DESCRIPTION: Y CONNECTOR WITH 600 SERIES BARBS, 3/8" (9.5 mm) ID TUBING			
DRAWN BY: BRYCE HIRSCHFELD	DATE: 9/12/2019	SIZE: B	SCALE: NTS	VER: 	DWG. NO. 1006290
MANAGER: LOU HUADONG		© 2014 VALUE PLASTICS, INC			REV B
				SHEET: 1 OF 1	

FOR REFERENCE ONLY