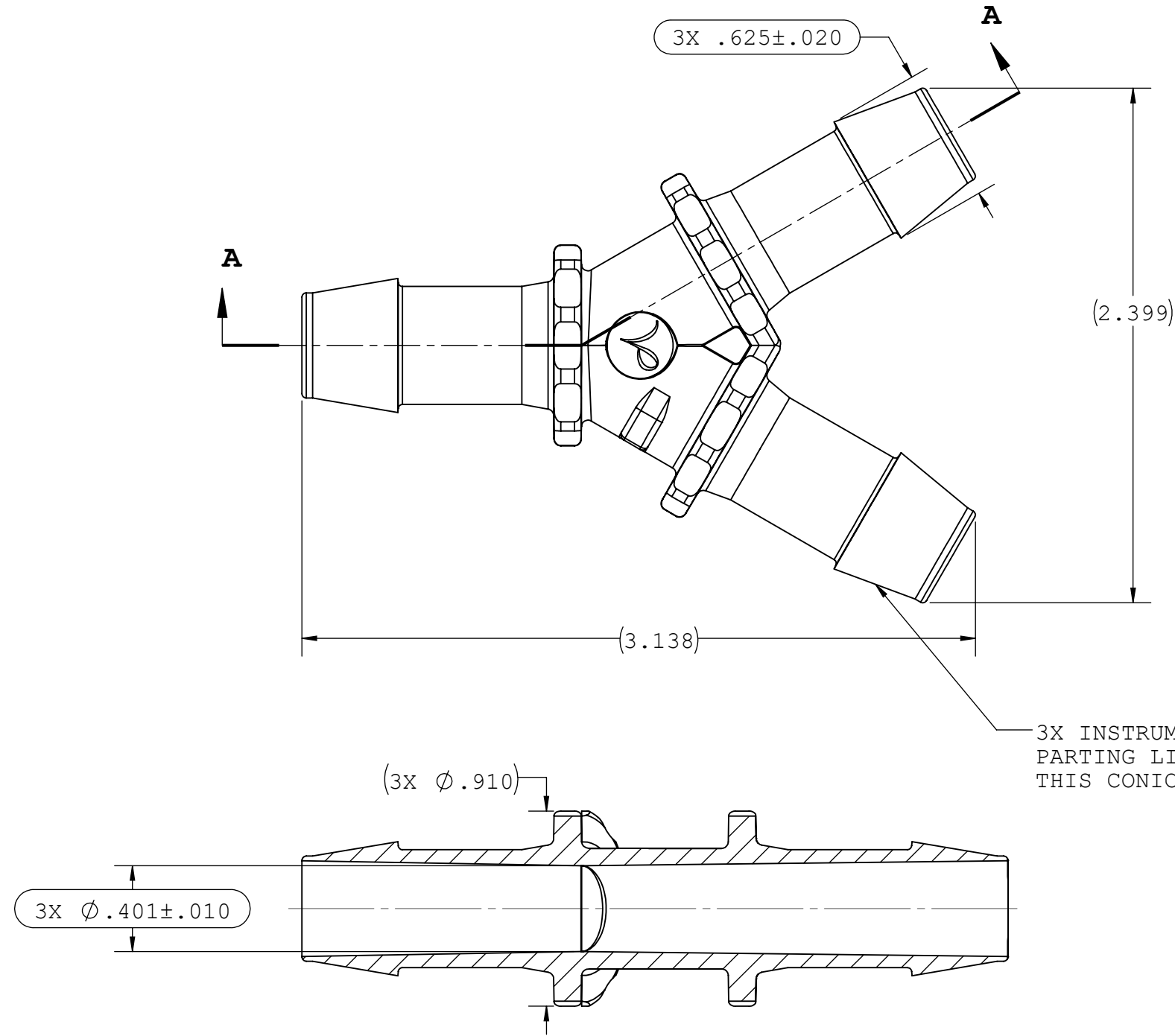
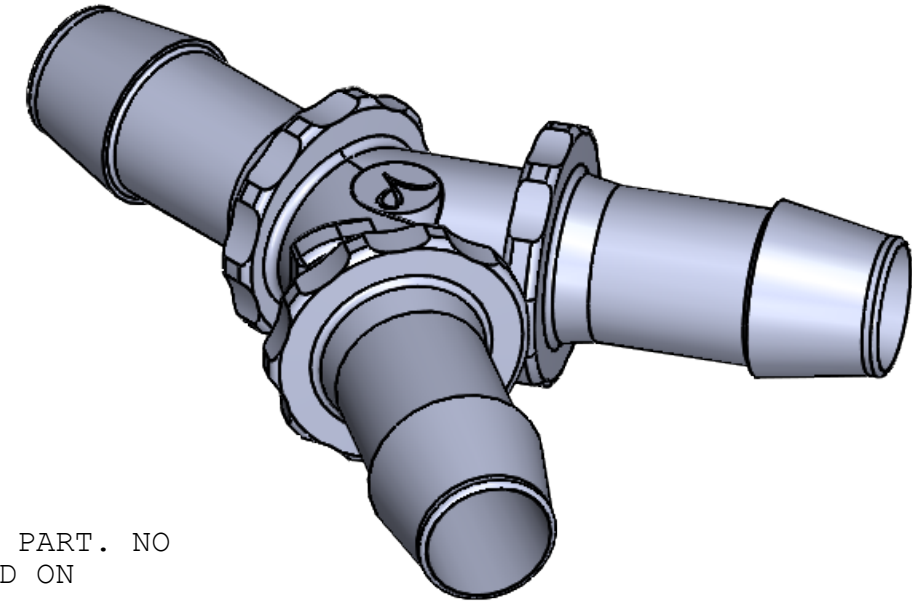
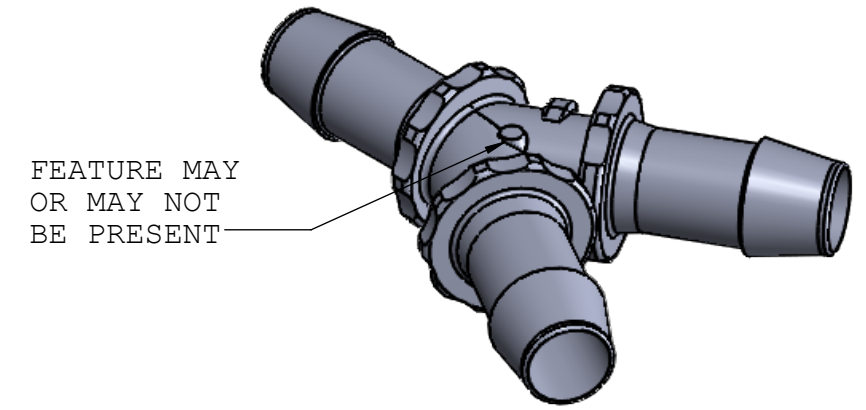


NOTES: FOR ADDITIONAL DETAILS, PLEASE CONTACT VP CUSTOMER SERVICE
 DIMENSIONS MARKED \square ARE CONTROL DIMENSIONS

REVISIONS			
REV.	DESCRIPTION	DATE	APPROVED
A	INITIAL RELEASE	05-20-06	RICK C.
B	ECO 344	03-16-17	FJL
C	ECO 401	09-12-19	FJL



3X INSTRUMENT QUALITY PART. NO PARTING LINE PERMITTED ON THIS CONICAL SURFACE



UNLESS OTHERWISE SPECIFIED DIMENSIONS ARE IN INCHES TOLERANCES ARE:		VALUE PLASTICS, INC			
FRACTIONS DECIMAL ANGULAR ± .XX ±.01 ± 1° .XXX ±.005 .XXXX ±.001		PART NUMBER: Y680			
DO NOT SCALE DRAWING		DESCRIPTION: Y CONNECTOR WITH 600 SERIES BARBS, 1/2" (12.5 mm) ID TUBING			
DRAWN BY: BRYCE HIRSCHFELD	DATE: 9/12/2019	SIZE: B	SCALE: NTS	VER: 	DWG. NO. REV 1006295 C
MANAGER: LOU HUADONG		© 2014 VALUE PLASTICS, INC			SHEET: 1 OF 1

FOR REFERENCE ONLY