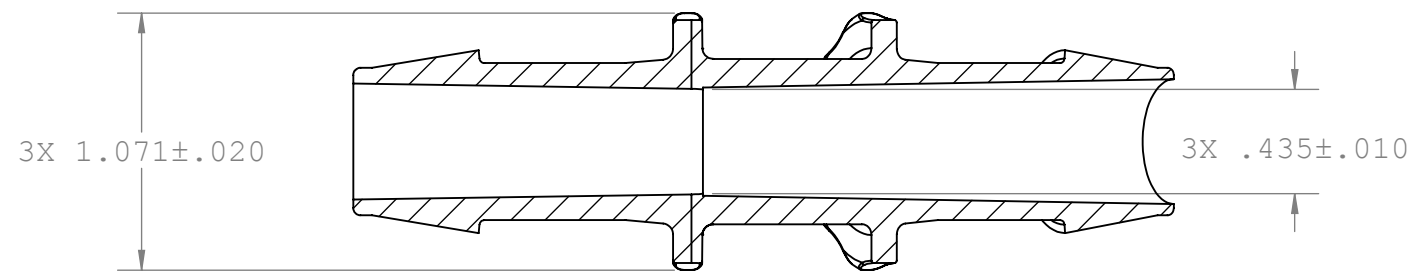
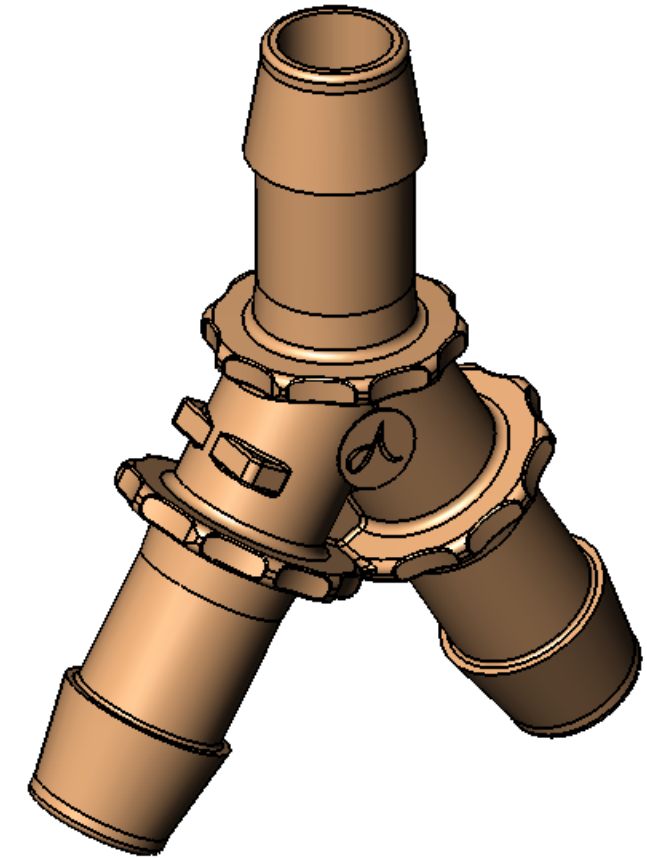
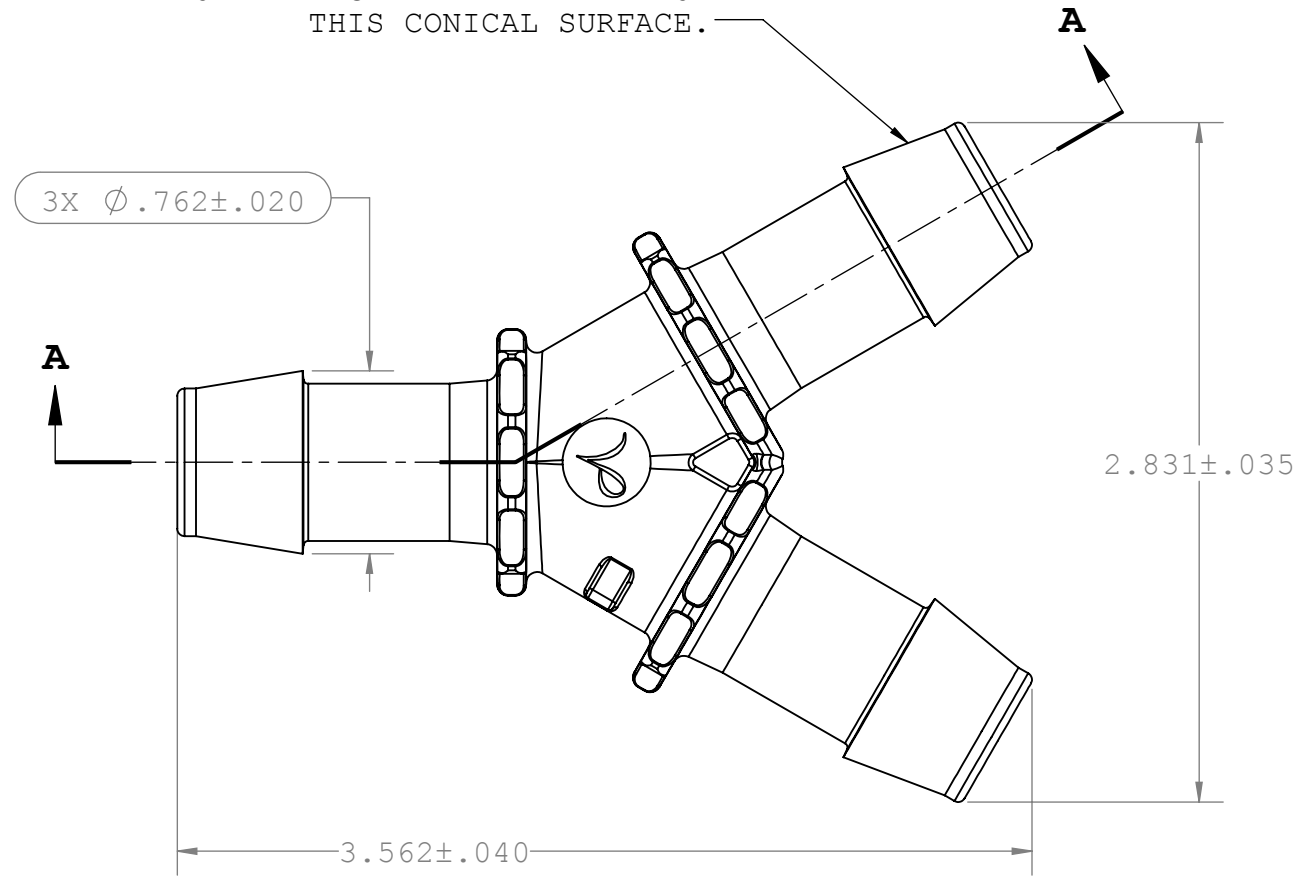


NOTES: FOR ADDITIONAL DETAILS, PLEASE CONTACT VP CUSTOMER SERVICE
 DIMENSIONS MARKED \varnothing ARE CONTROL DIMENSIONS

REVISIONS			
REV.	DESCRIPTION	DATE	APPROVED
A1	RELEASE FOR FAIR	2-28-2014	S.N.R

3X INSTRUMENT QUALITY PART.
 NO PARTING LINE PERMITTED ON
 THIS CONICAL SURFACE.



SECTION A-A

UNLESS OTHERWISE SPECIFIED DIMENSIONS ARE IN INCHES TOLERANCES ARE:		VALUE PLASTICS, INC			
FRACTIONS DECIMAL ANGULAR ± .XX ±.01 ± 1° .XXX ±.005 .XXXX ±.001		PART NUMBER: Y690			
DO NOT SCALE DRAWING		DESCRIPTION: Y Connector with 600 Series Barbs, 5/8" (16mm) ID Tubing			
DRAWN BY: Jonathan Mayer	DATE: 3/4/2014	SIZE: B	SCALE: NTS	VER: 	DWG. NO. 1030174
MANAGER: Ravi Narayanan		© 2011 VALUE PLASTICS, INC			REV A1
				SHEET: 1 OF 1	

FOR REFERENCE ONLY